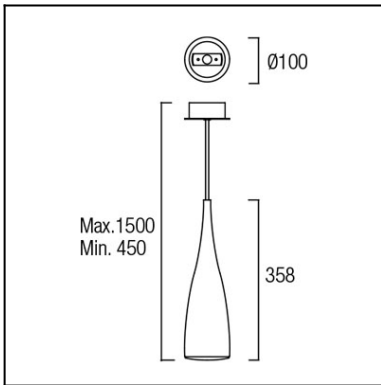


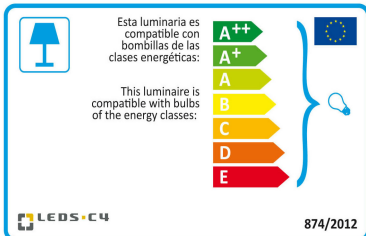
Design by Josep Patsí



The photograph may not match the reference exactly. Please read the product description to identify the finish.



Download photometric file .ldt / .ies



Click on image to download energy label

TECHNICAL CHARACTERISTICS

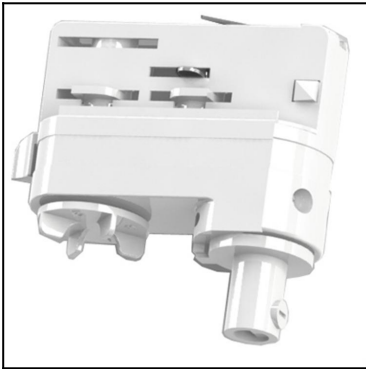
Type:	Pendant
IP Protection degrees:	IP20
Light source 1:	1 x E27/PAR-20 Max 50W Maximum lamp length: 170.00 mm Maximum lamp diameter: 64.00 mm
Total power consumption (W):	50
Voltage / Frequency:	230V/50-60Hz
Warranty (Years):	2
Units per box:	6
Net Weight (Kg):	0.6
EAN:	8435381414351



MATERIALS / FINISHES

Structure material:	Steel	Diffuser material:	Polycarbonate
Structure finish:	Red	Diffuser finish:	Transparent

71-2232-14-14



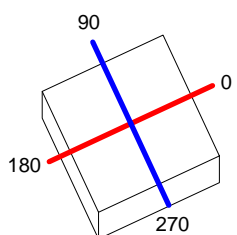
Track connector

Structure material: Polycarbonate**Structure finish:** White

Luminaire		Measur.		Lamp		
Code	00-2872-51-M2	Code	00-2872-51-M2	Code	TC-DSE 23W	
Name	CLEAR	Name	CLEAR	Number	1	
Line	Eulumdat	Date	29-04-1994	Position		
Efficiency	51.85%	Coordinate system	CG	Total Flux	1500.00 lm	
Maximum value	1537.50 cd	Position	C=90.00 G=5.00	Double Symmetrical		
Rectangular Luminaire	Length	102 mm	Width	102 mm	Height	1002 mm
Rectangular Luminous Area	Length	40 mm	Width	40 mm	Height	0 mm
Horizontal Luminous Area	0.001600 m2	Emitting area on Plane 180°		0.000000 m2		
Emitting area on Plane 0°	0.000000 m2	Emitting area on Plane 270°		0.000000 m2		
Emitting area on Plane 90°	0.000000 m2	Glare area at 76°		0.000387 m2		
Symmetry Type	Double Symmetrical	Maximum Gamma Angle		90		
Measurement Distance	0.00	Measurement Flux		1500.00 lm		
Operator		Source voltage				
Temperature	25.00 °C	Source current				
Humidity	60.00 %	Photocell				
Notes						

Luminaire Lamps						
Line	Code	Name	Flux [lm]	Pow. [W]	Q.ty	
Eulumdat	TC-DSE 23W	TC-DSE 23W - 23.00 W	1500.00	23.00	1	
C.I.E.	84 94 99 100 52	D DIN 5040		A60		
F UTE	0.52 B	B NBN		BZ 1		

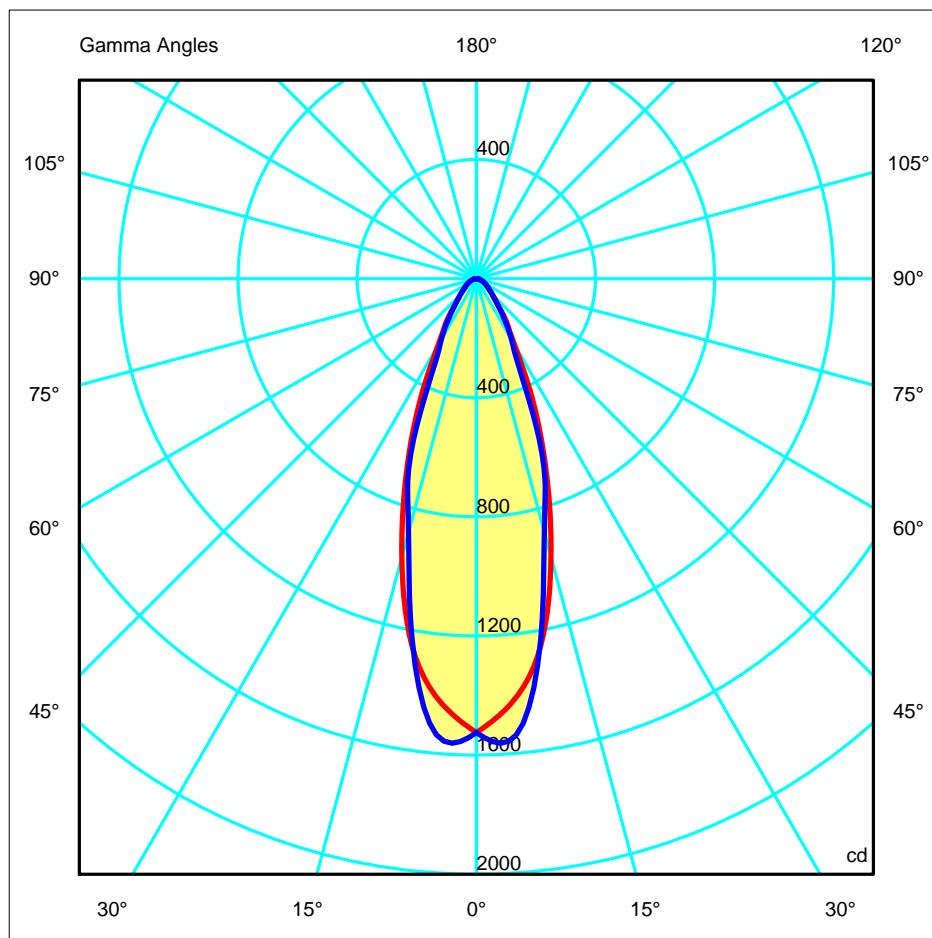
102mm x 102mm

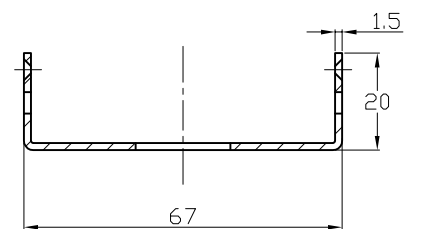
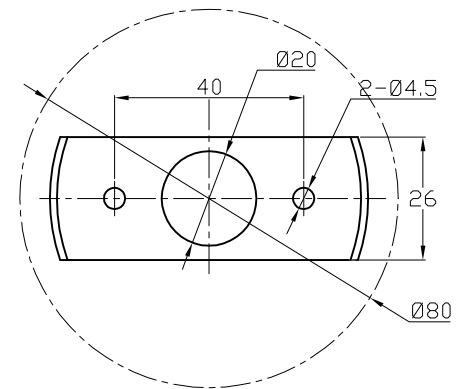
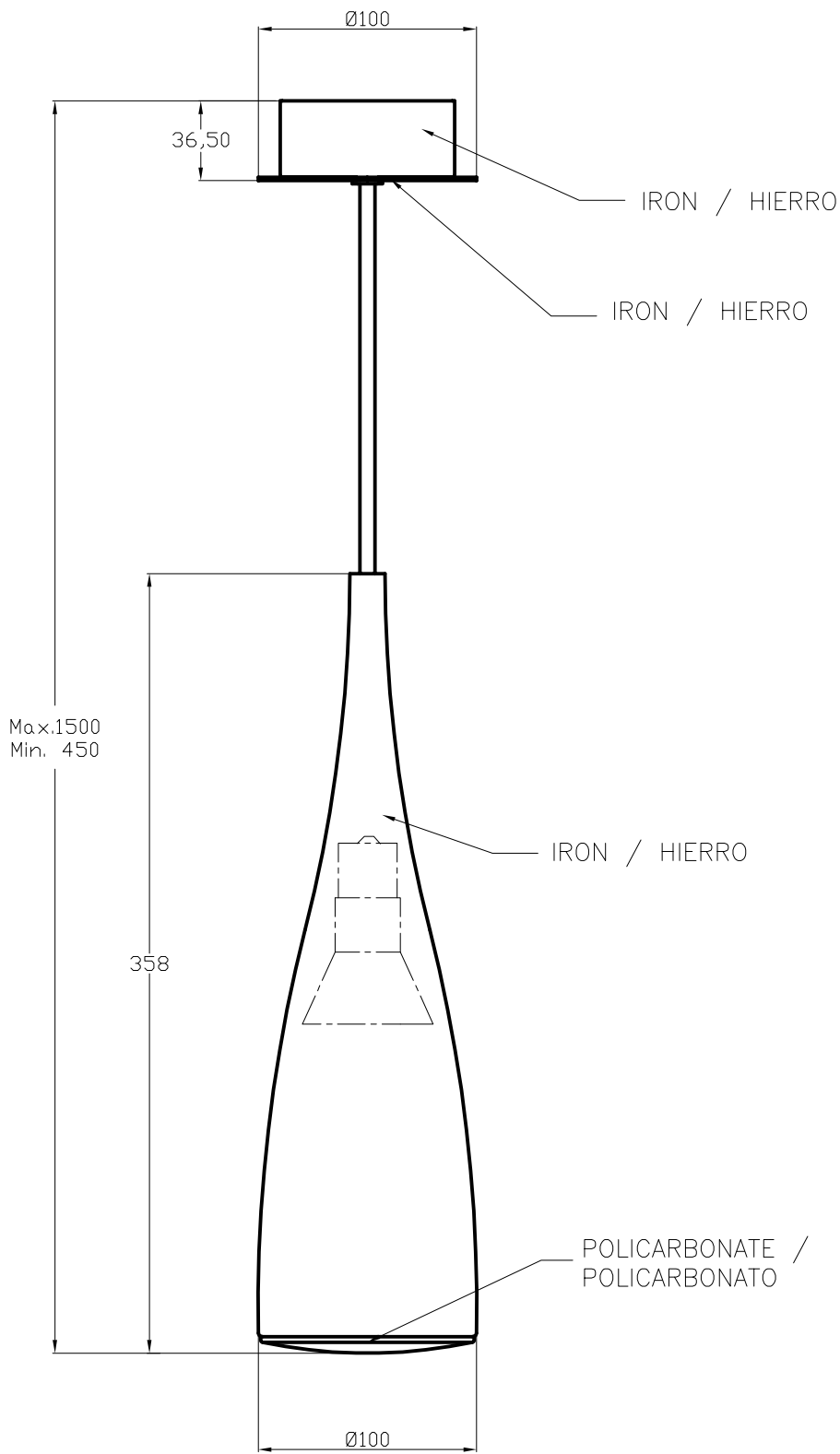


C Halfplanes

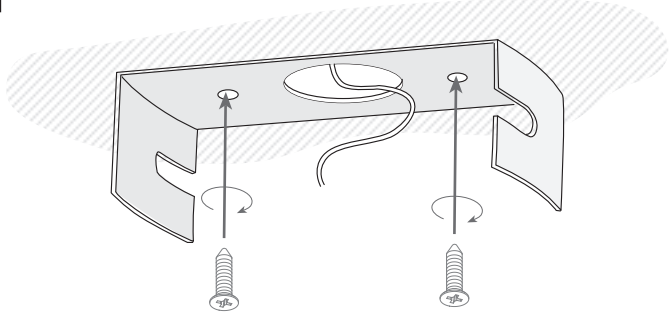
180.0 — 0.0
270.0 — 90.0

ULOR 0.00 %
DLOR 51.85 %
RN 0.00 %

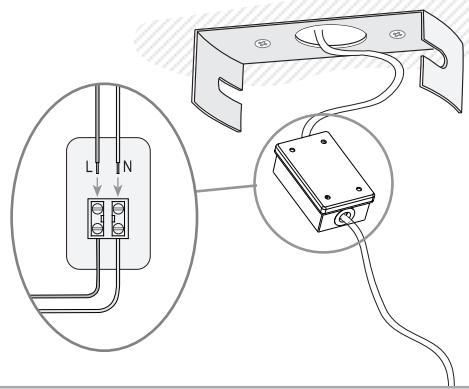




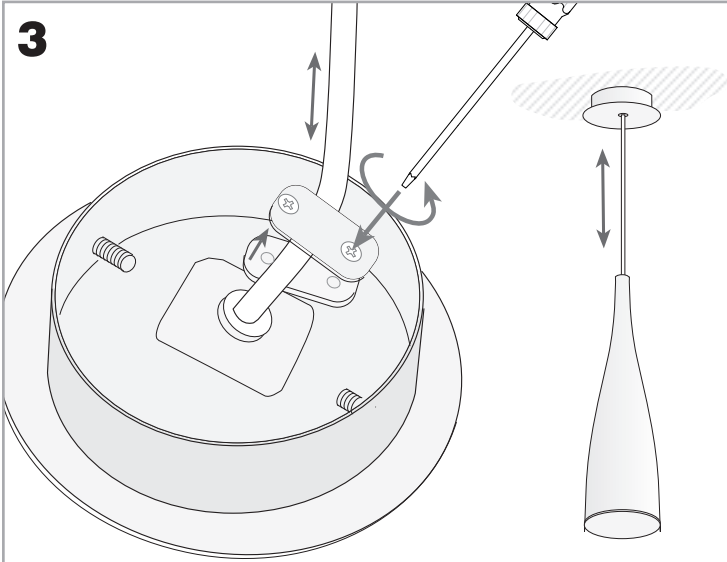
1



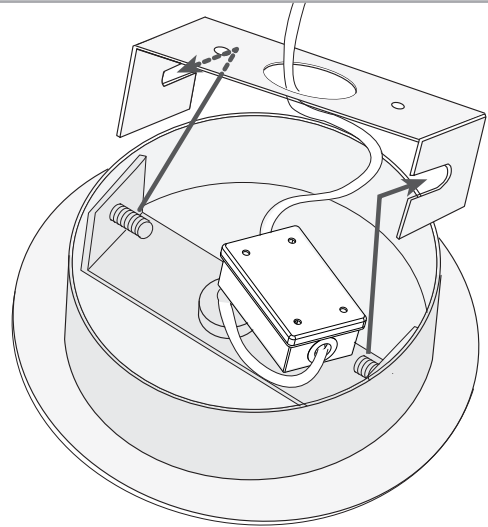
2



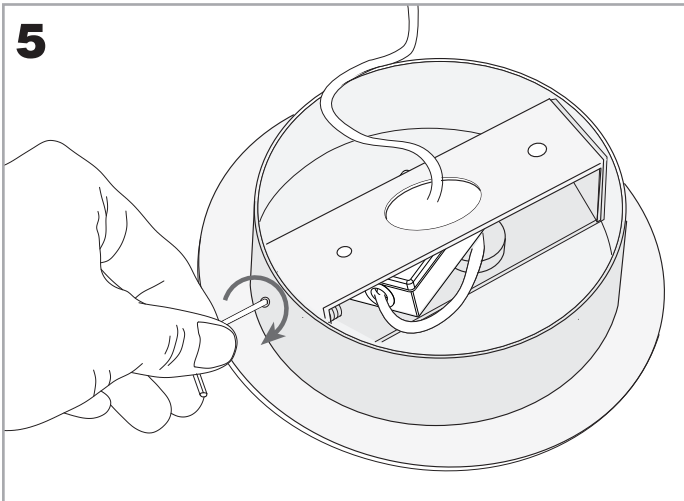
3



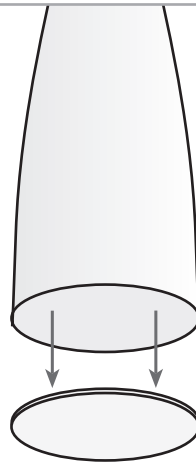
4



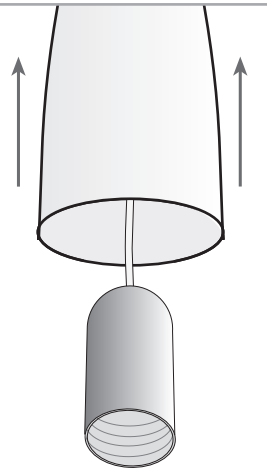
5



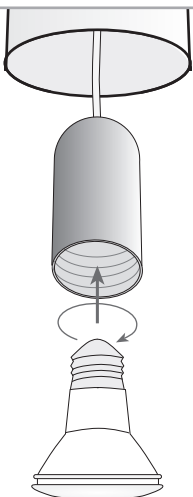
6



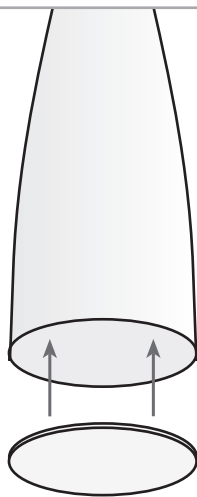
7



8



9



10

