

HELLO Pendant

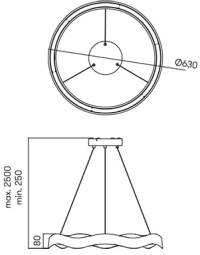
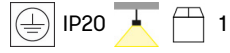
Designer: Josep Patsí

00-5275-BW-M1 V0



Finish
Matt white
Opal

Material
Polyurethane
Steel
Methacrylate



TECHNICAL CHARACTERISTICS

Light source

Light source: LED REFOND
Output (W): 24.3W
Total power consumption (W): 28.3W
Color temperature: Warm White - 2700K
CRI: 80
Photobiological risk: RG0
Real Lumen: 1341
Qty Leds: 288
Lm/Real W: 47
Bin / Grup: 27K
UGR: 12.2

GEAR

Brand: MEANWELL
Gear included: Yes, electronic
Voltage / Frequency: 180-295 VAC
Power Factor: 0.93
Dimming protocol: Mains dimming (LC)

Luminaire

Warranty: 5 Years

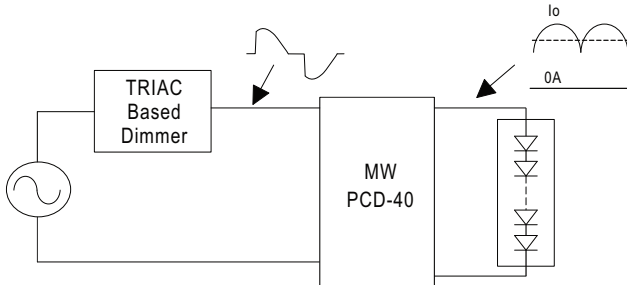
Logistics

Energy Efficiency: LED A++
EAN Code: 8435381440831
Net Weight (Kg): 3.050
Weight in Kg (packaged): 4.805
Packing: 755 x 185 x 755
Masterbox: 1

The photograph may not match the reference exactly. Please read the product description to identify the finish.

AC Dimming Operation

⊙ The following diagram depicts a typical installation utilizing the PCD-40 :

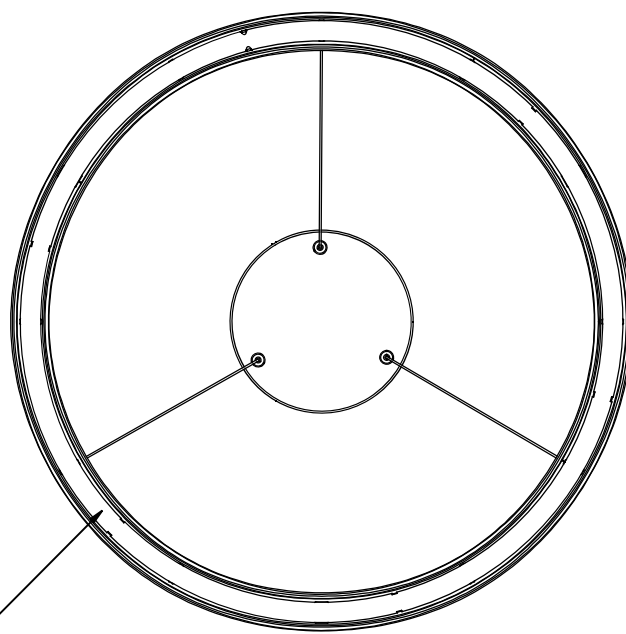


Under direct driving, the power supply will work in "constant current mode (CC)" and output voltage of the power supply will be clamped by sum of forward voltage (V_F) of the LED strip.

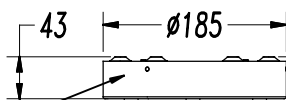
⊙ Dimmer Compatibility Chart

Manufacturer	Dimmer Model	
LUTRON	SKYLARK SF-12P-277	(277VAC / 60Hz)
LUTRON	DVF-103P-277	(277VAC / 60Hz)
JUNG	Licht-Management 225 TDE	(230VAC / 50Hz)
JUNG	Licht-Management 225 NV DE	(230VAC / 50Hz)
BERKER	Tronic-Drehdimmer 286710	(230-240VAC / 50Hz)
CLIPSAL	32E450UDM	(220-240VAC / 50Hz)
CLIPSAL	NO 32E450TM	(220-240VAC / 50Hz)
CLIPSAL	NO 32E450LM	(220-240VAC / 50Hz)
CLIPSAL	Cat 400T	(230-240VAC / 50Hz)

Conduction angle: 30 degrees(min.) / 180 degrees(max.)



OPAL OMMA /
PMMA OPAL

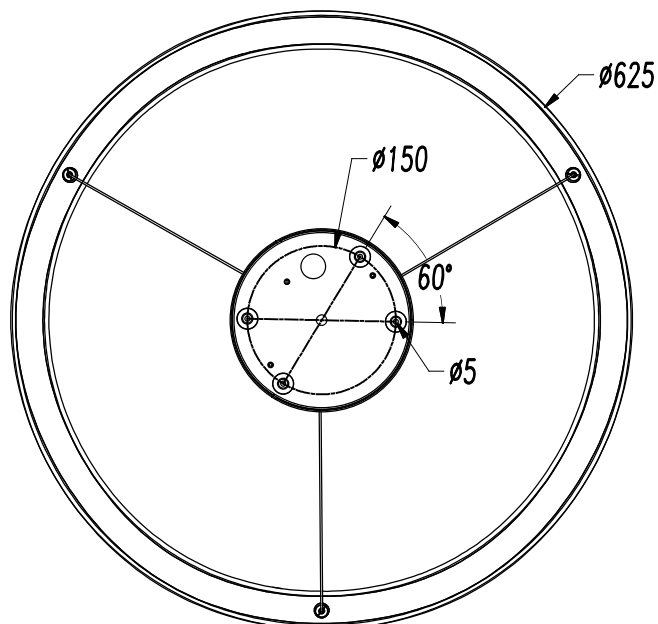
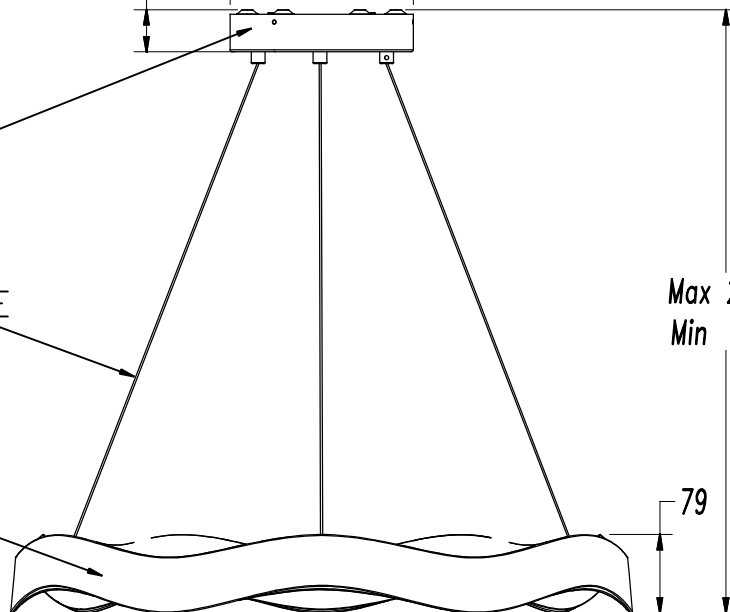


STEEL / ACERO

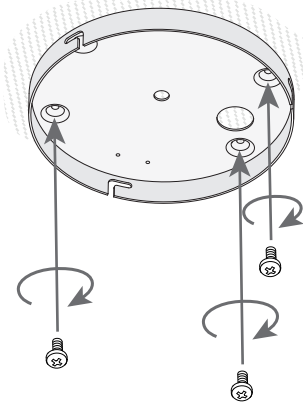
TRANSPARENT WIRE /
CABLE TRANSPARENTE

Max 2500
Min 250

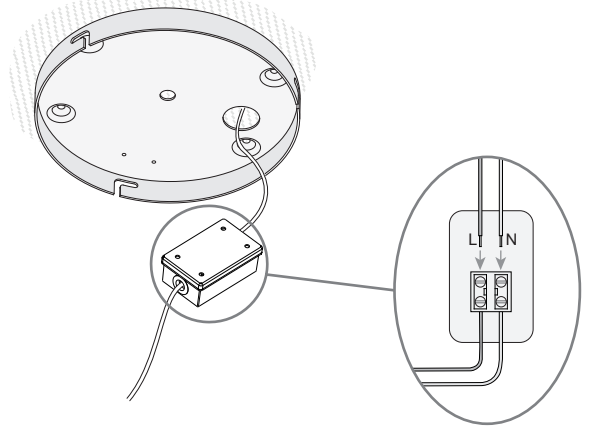
POLIURETANE /
POLIURETANO



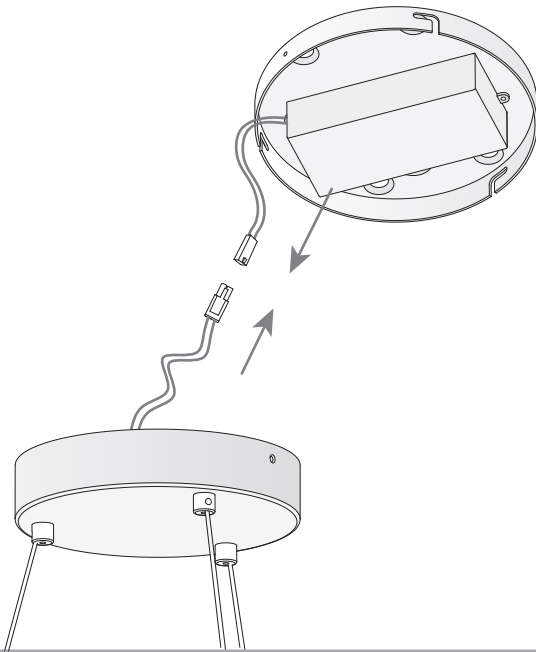
1



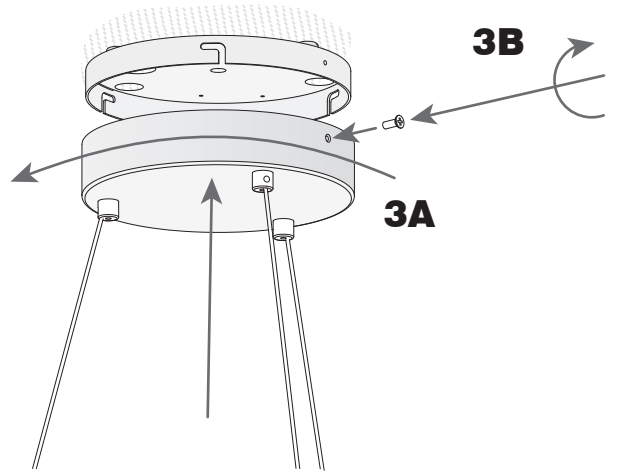
2



3



4



5

