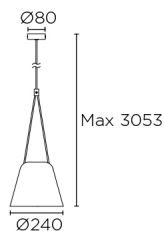
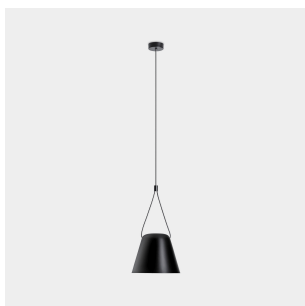


00-7389-05-05

V0

## ATTIC Pendant

Designer: Nahtrang

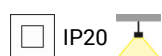
**Description**

Pendant for indoor and outdoor use.

For downlighting. Design by Nahtrang. Ideal deco-tech compositions. Timeless design. Highly versatile, multiple installations. Highly customisable: accessories, finishes... No visible screws. Optimum price-performance. Easy installation. High durability for intensive use. Structure material: Aluminium. Structure finish: Matt black. Warranty: 5 Years.

**Finish**  
Matt black

**Material**  
Aluminium

**TECHNICAL CHARACTERISTICS****Light source**

Lampholder: 1 x E27  
Output (W): MAX 23W  
Total power consumption (W): 23 W  
Lamp maximum dimension: 120/100 mm  
Quantity: 1

**GEAR**

Brand: NA  
Power Factor: 1.00

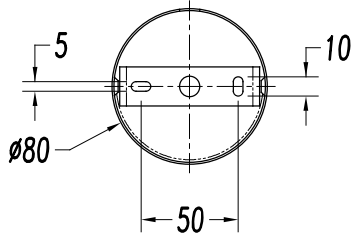
**Luminaire**

Recessed: No  
Warranty: 5 Years

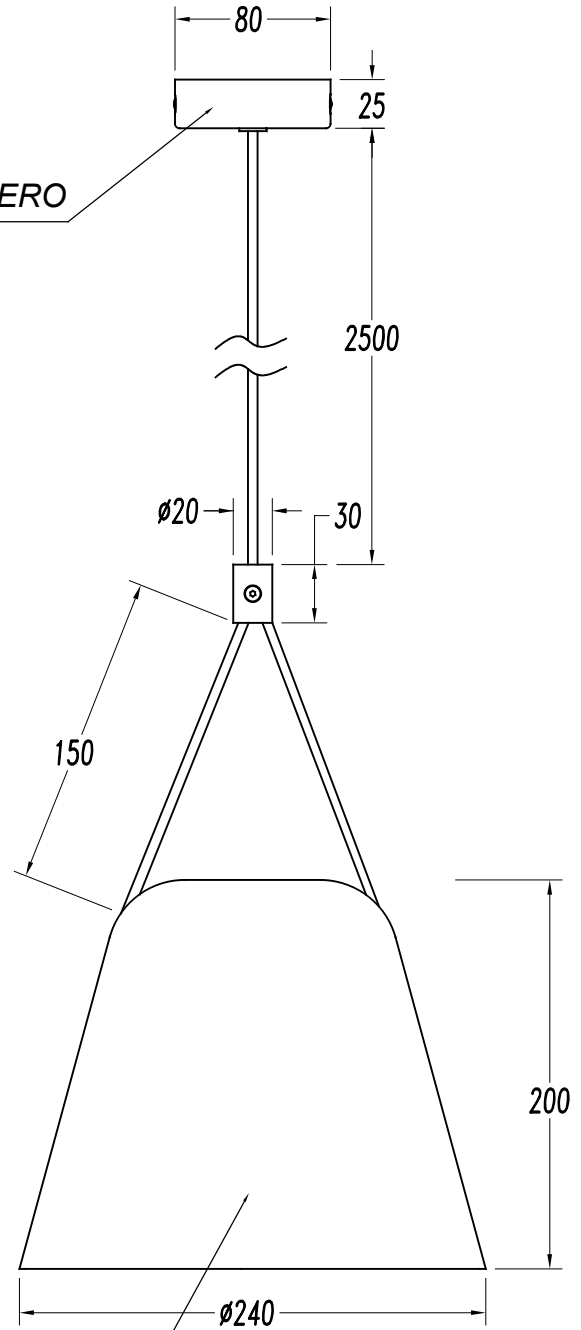
**Logistics**

Energy Efficiency: NO BULB  
EAN Code: 8435526891252  
Net Weight (Kg): 0.000

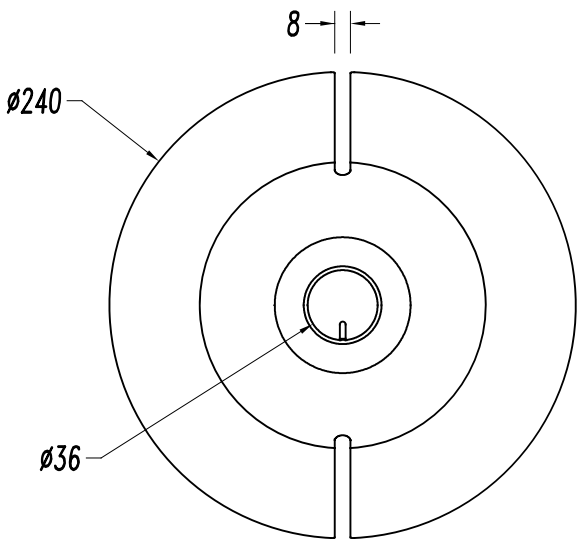
The photograph may not match the reference exactly. Please read the product description to identify the finish.



STEEL / ACERO



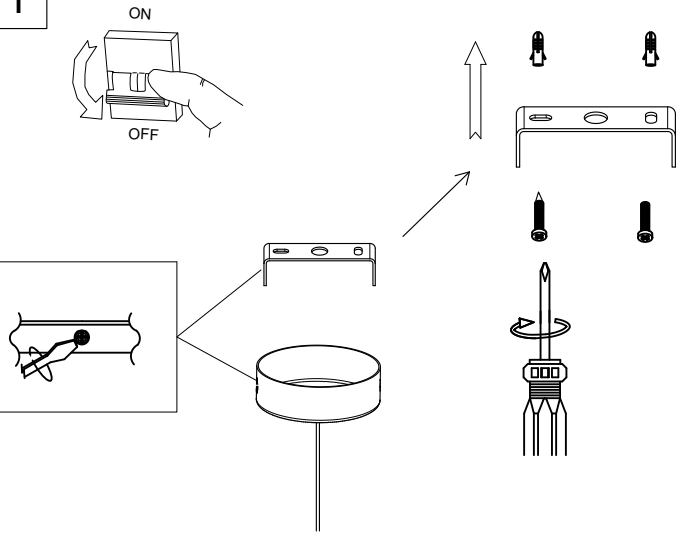
ALUMINIUM / ALUMINI



# LEDS C4<sup>+</sup>

ATTIC/00-7388/7389

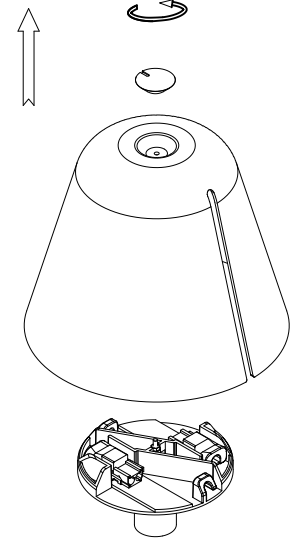
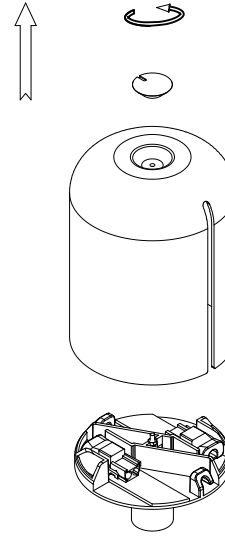
1



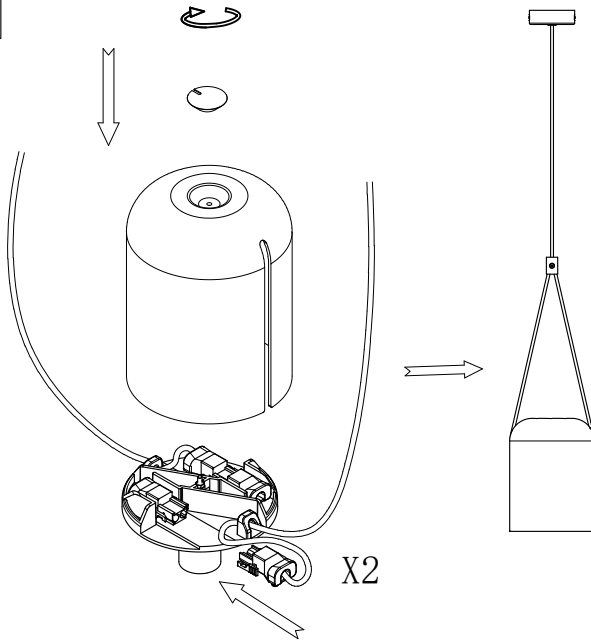
2

code: 71-7388

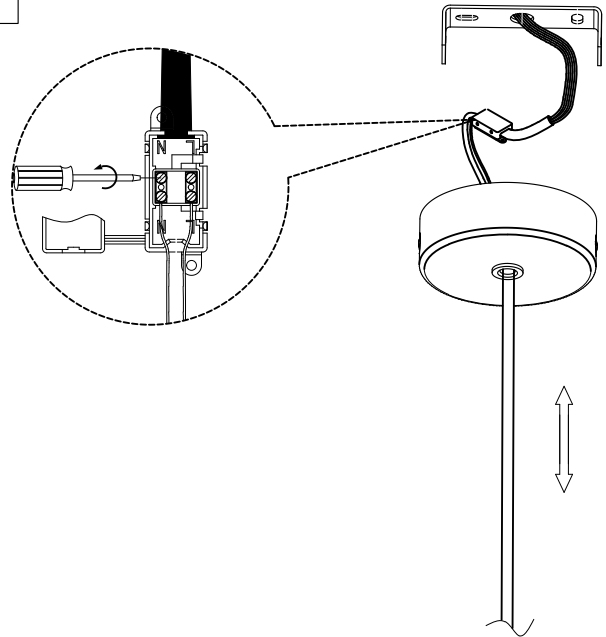
code: 71-7389



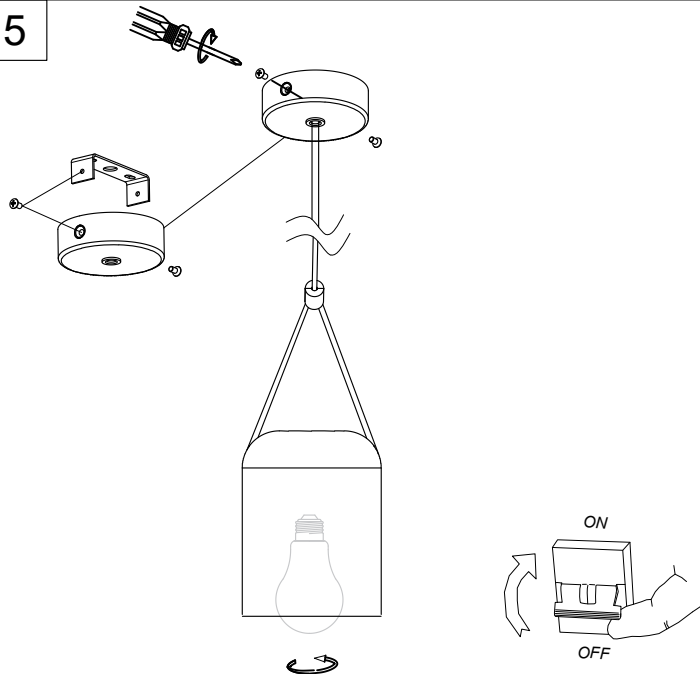
3



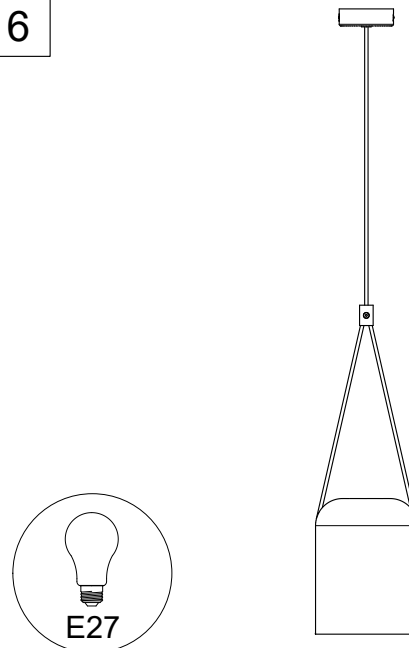
4



5



6



09-01-18