

00-7494-60-00

V0

INFINITE Pendant

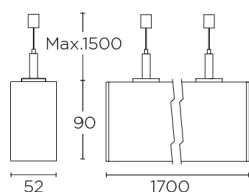
Description

Linear lighting

For downlighting. Professional LED module with stand-alone unit. High performance effective lm/W. Compact, high performance product. Structure material: Aluminium. Structure finish: Black. Warranty: 5 Years.

Finish
Black

Material
Aluminium



TECHNICAL CHARACTERISTICS

GEAR
Voltage / Frequency: NA

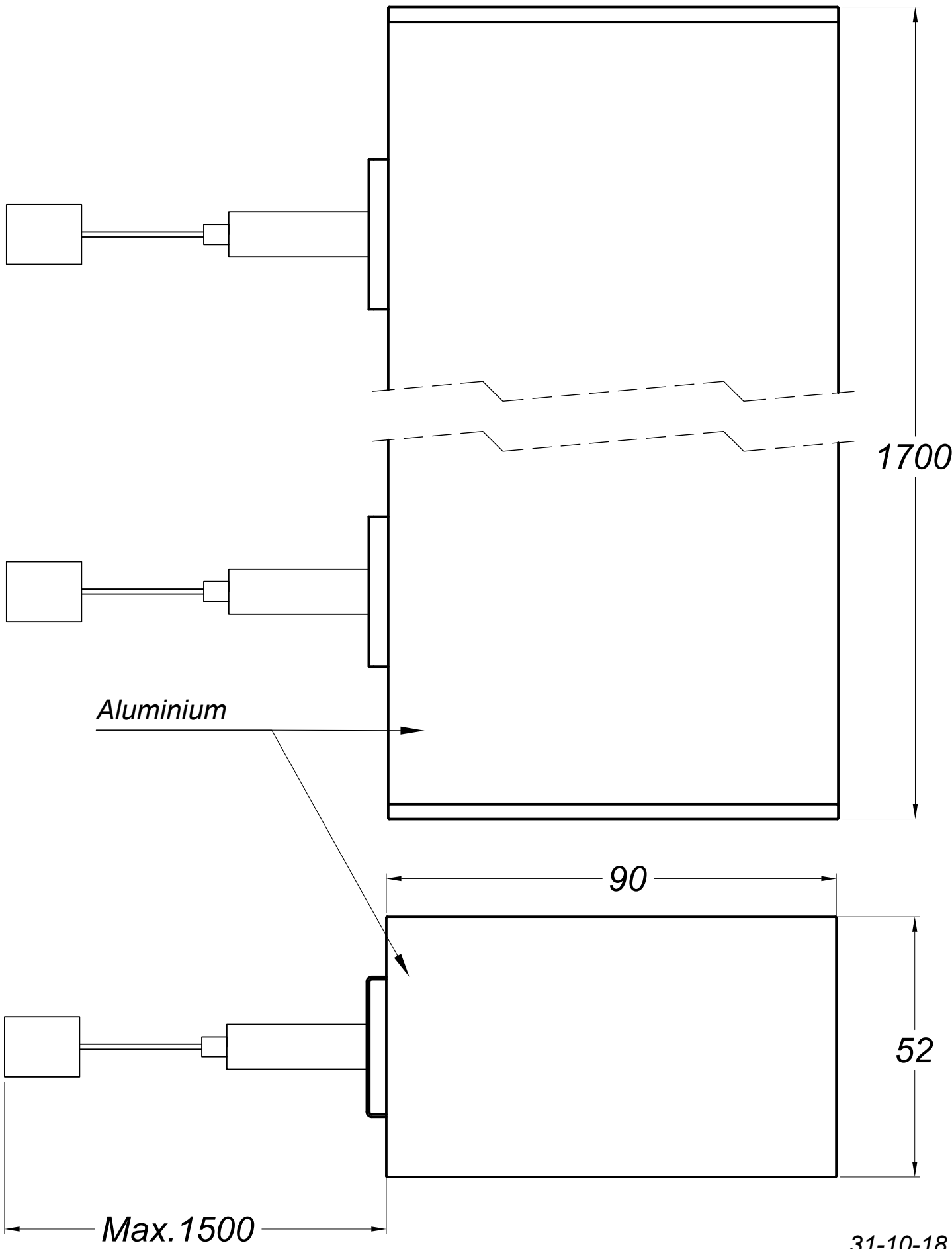
Luminaire
Warranty: 5 Years

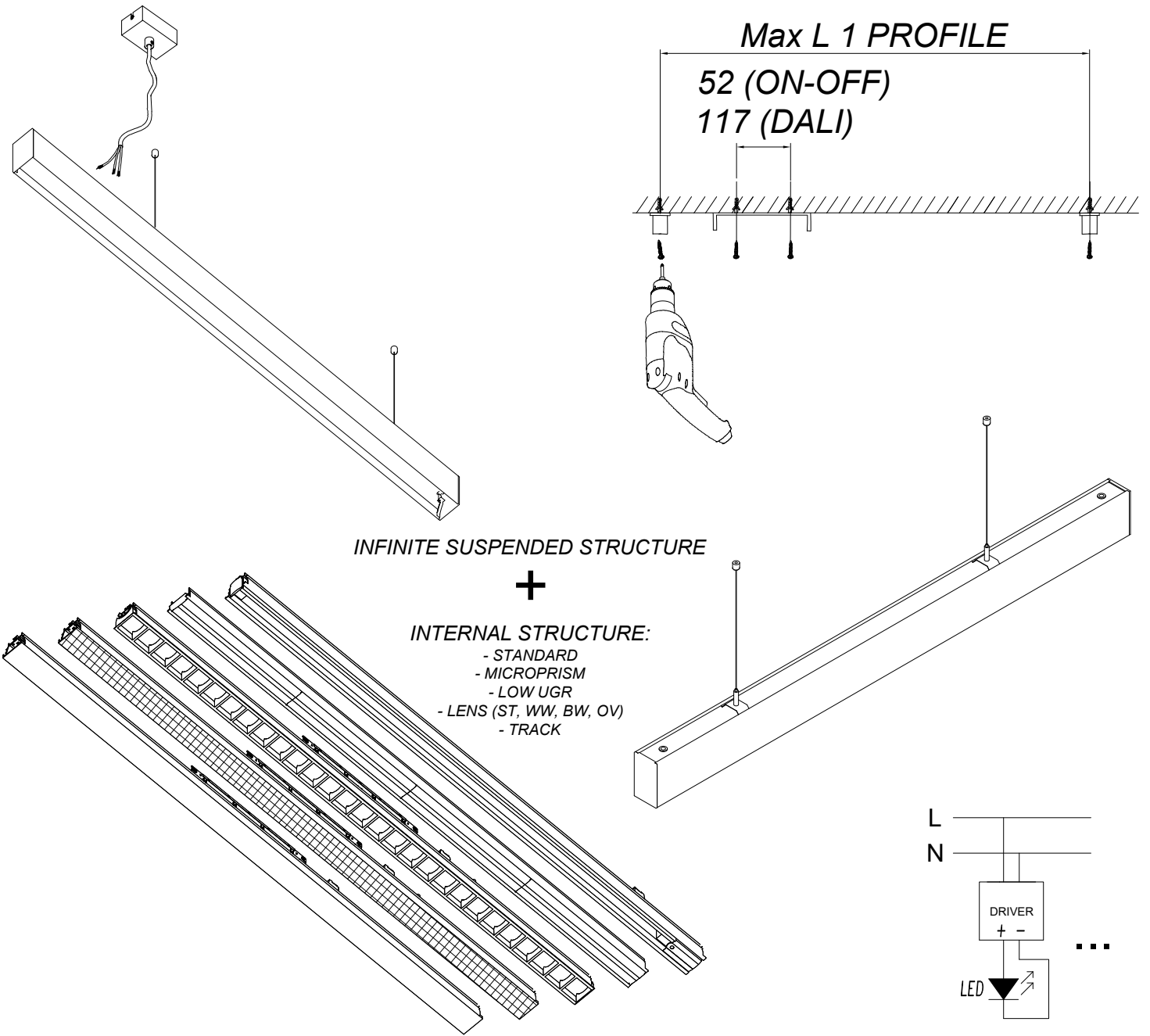
Logistics
Energy Efficiency: NA
Net Weight (Kg): 0.000
Packing: - x - x -

The photograph may not match the reference exactly. Please read the product description to identify the finish.

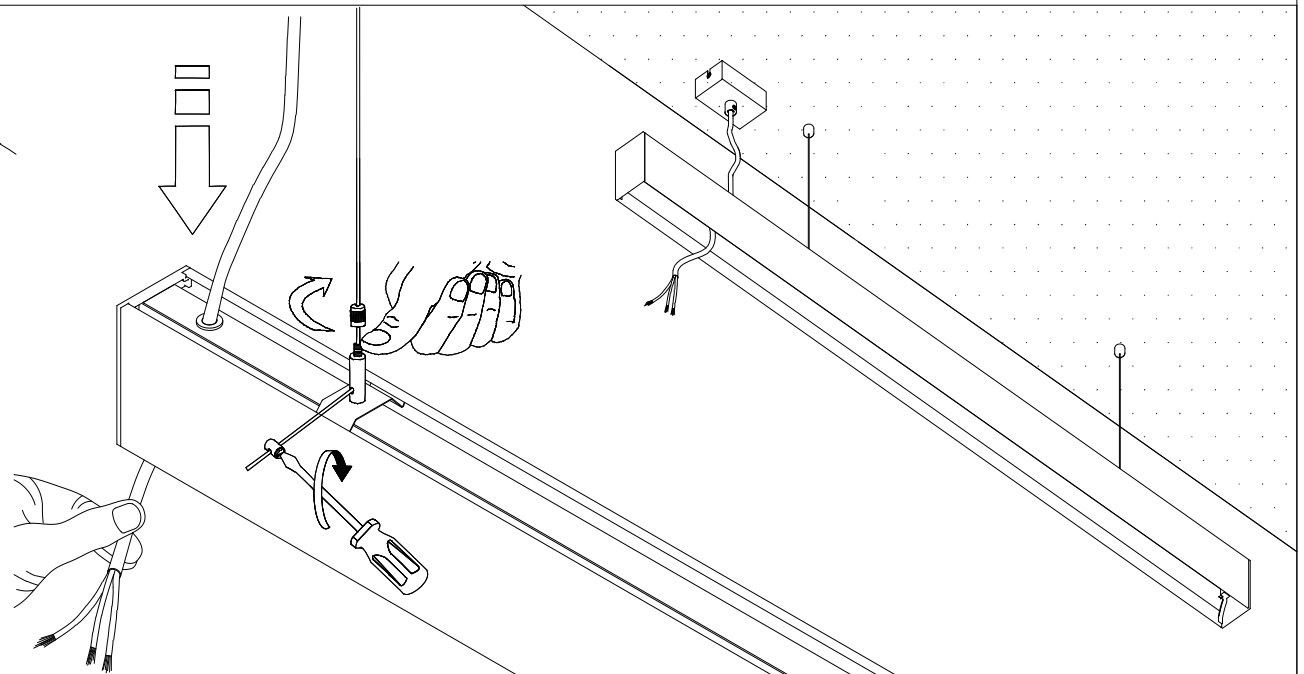
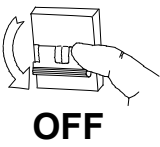
LEDS C4⁺

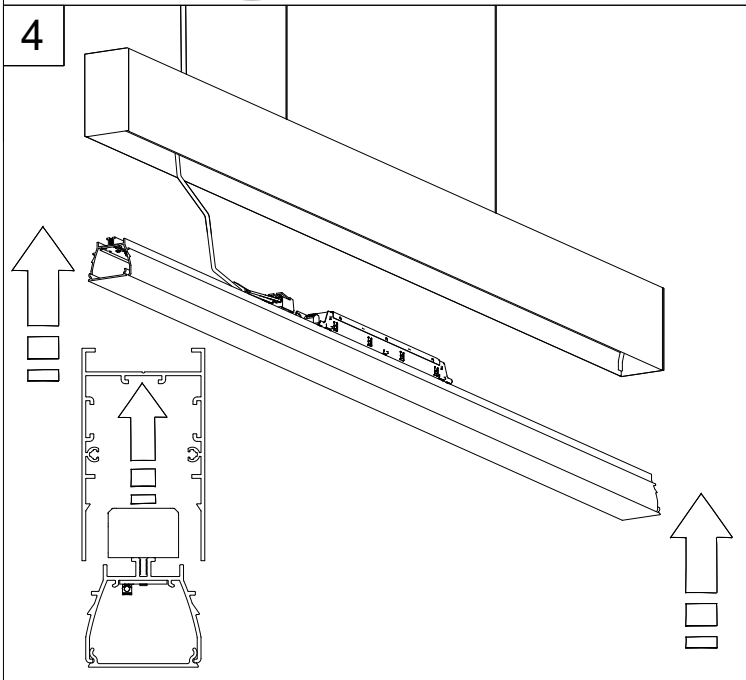
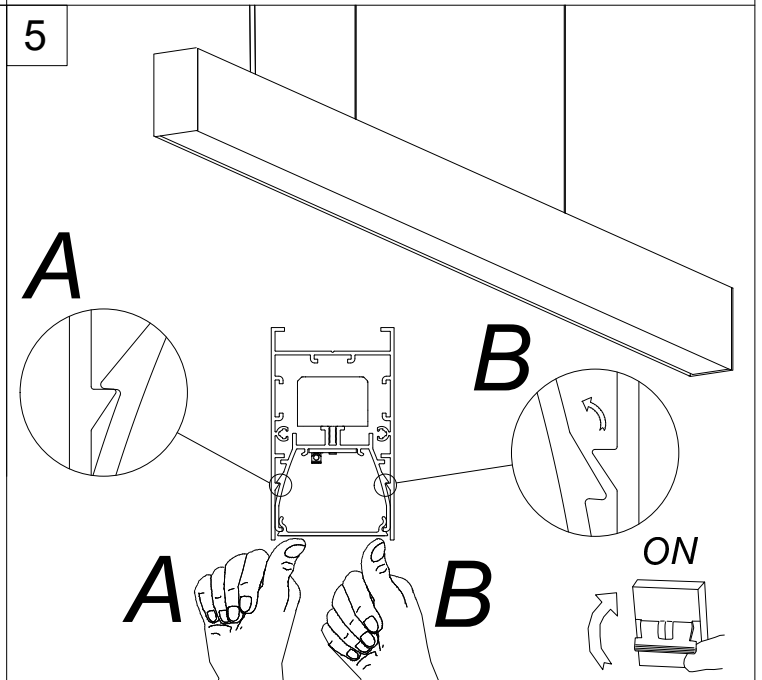
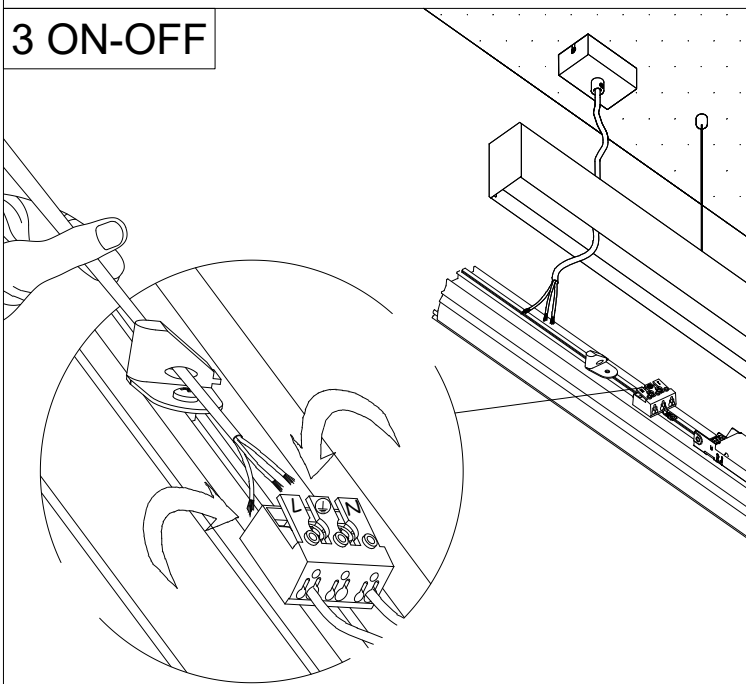
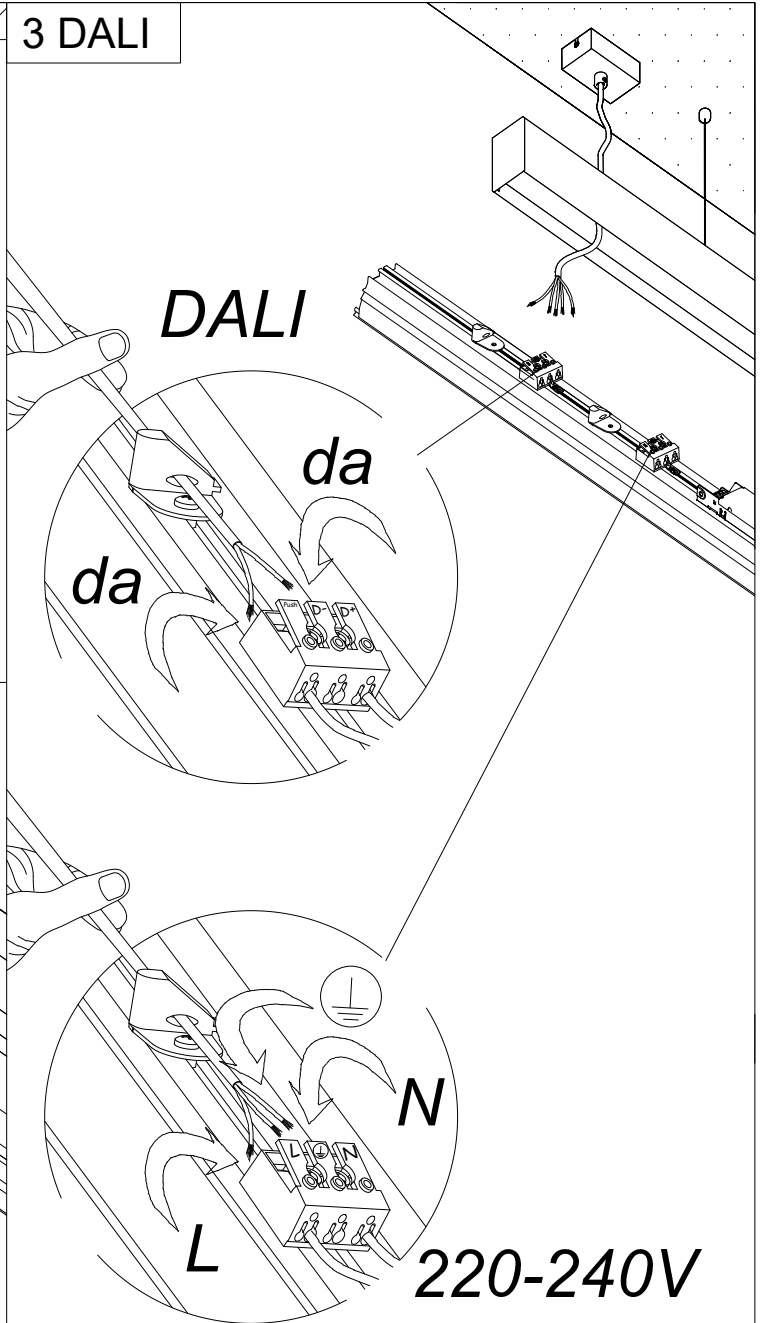
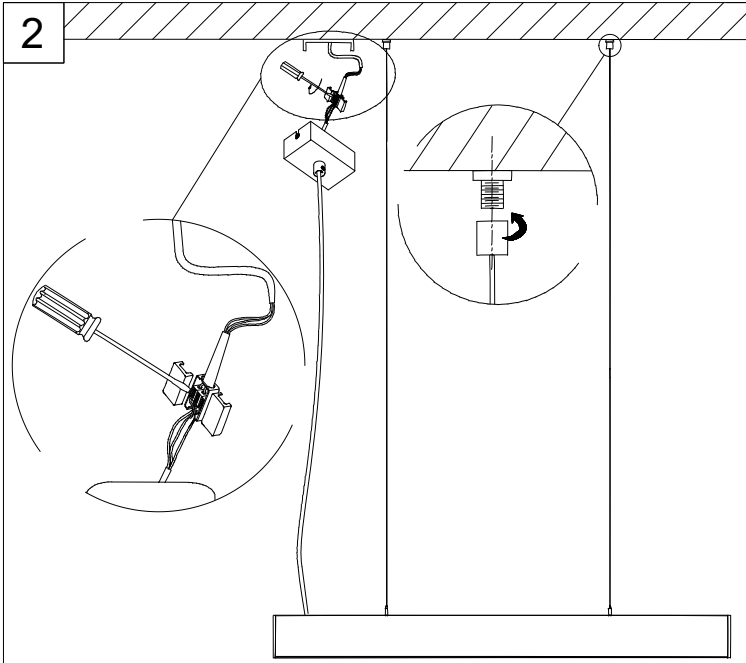
INFINITE SUSPENDED 1700





1





INFINITE

00-7494-60-00



Linear lighting

For downlighting. Professional LED module with stand-alone unit. High performance effective lm/W. Compact, high performance product. Structure material: Aluminium. Structure finish: Black. Warranty: 5 Years.

Product net weight (Kg): 0.000

Product length (mm): 1700

Product width or diameter (mm): 52

Product height (mm): 90

Class 1. Gear included: No.