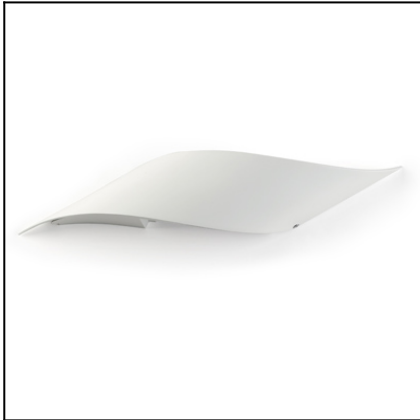
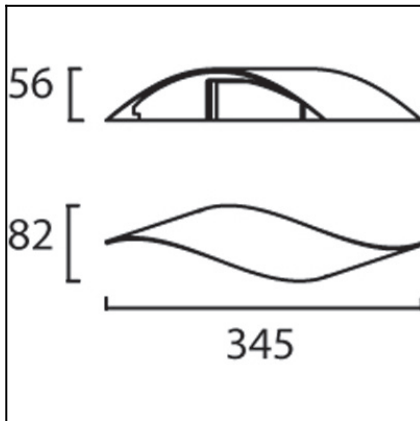
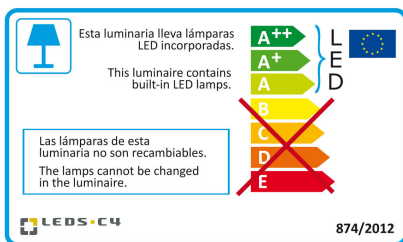


Design by Ramon Valls


The photograph may not match the reference exactly. Please read the product description to identify the finish.


[Download photometric file .ldt / .ies](#)

[Click on image to download energy label](#)
TECHNICAL CHARACTERISTICS

Type:	Wall fixture
IP Protection degrees:	IP20
Light source 1:	6 x LED Cree 6W Warm White - 3000K 510 lm ^(N) CRI 80
Total power consumption (W):	8.2
Voltage / Frequency:	110-240V/50-60Hz
Warranty (Years):	2
Option to extend the guarantee (Years):	5
Units per box:	6
Net Weight (Kg):	0.365
EAN:	8435381407018


MATERIALS / FINISHES

Structure material:	Aluminium	Diffuser material:	Methacrylate
Structure finish:	Matt white	Diffuser finish:	Tinted

GEAR

Multi-voltage electronic gear included (110-240 V / 50-60 Hz)

Lm^(N): Nominal flow of light in actual working conditions. Its actual flow will depend on the environmental conditions and the efficiency of the optics and/or diffuser.

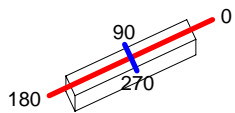
LEDS-C4 reserves the right to make the necessary technical changes they deem adequate, in order to improve the features of the product.
Please consult the sales team to clarify any doubt.

(+34) 973 468 100
leds-c4@leds-c4.com
www.leds-c4.com

Luminaire		Measur.		Lamp		
Code	05-1819-BW-BW	Code	05-1819-BW-BW	Code	05-1819-BW-BW	
Name	Aplique 6 leds x1W CREE blanco	Name	Aplique 6 leds x1W CREE blanco	Number	1	
Line	- LEDS C4 LEDS	Date	05-07-2013	Position	Universal	
Efficiency	100.00%	Coordinate system	CG	Total Flux	435.01 lm	
Maximum value	113.12 cd	Position	C=90.00 G=5.00	Asymmetrical		
Rectangular Luminaire	Length	56 mm	Width	345 mm	Height	82 mm
Rectangular Luminous Area	Length	20 mm	Width	95 mm	Height	82 mm
Horizontal Luminous Area	0.001900 m2	Emitting area on Plane 180°		0.001640 m2		
Emitting area on Plane 0°	0.001640 m2	Emitting area on Plane 270°		0.007790 m2		
Emitting area on Plane 90°	0.007790 m2	Glare area at 76°		0.002051 m2		
Symmetry Type	Asymmetrical	Maximum Gamma Angle		180		
Measurement Distance	6.44	Measurement Flux		435.01 lm		
Operator	Asselum T2	Source voltage		230.00 V		
Temperature	25.00 °C	Source current		PRC		
Humidity	59.00 %	Photocell				
Notes						

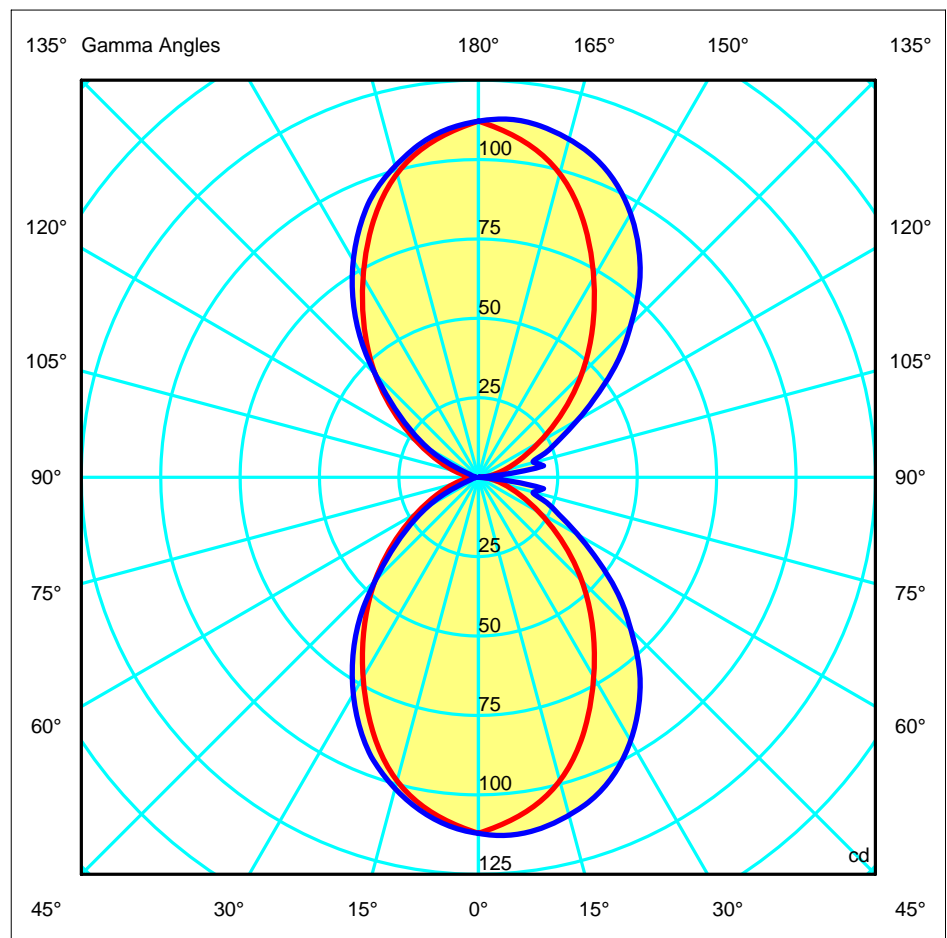
Luminaire Lamps						
Line	Code	Name	Flux [lm]	Pow. [W]	Q.ty	
- LEDS C4 LEDS	05-1819-BW-BW	Lámpara leds 6W	435.01	6.00	1	
C.I.E.	59 86 96 50 100	D DIN 5040	C41			
F UTE	0.50 D + 0.50 T	B NBN	BZ 3 / 4 / BZ 4			

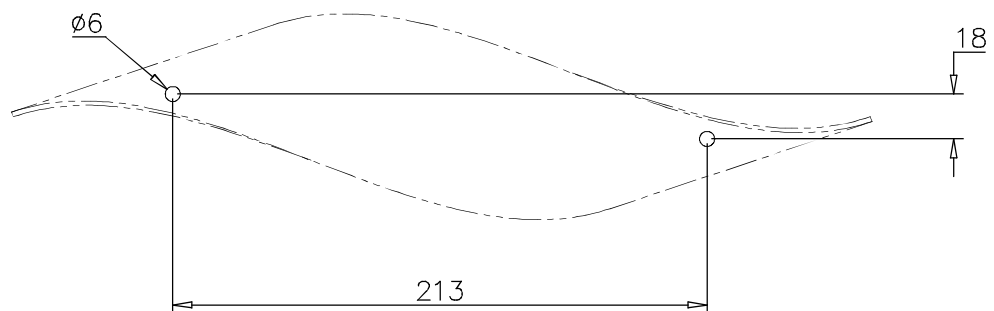
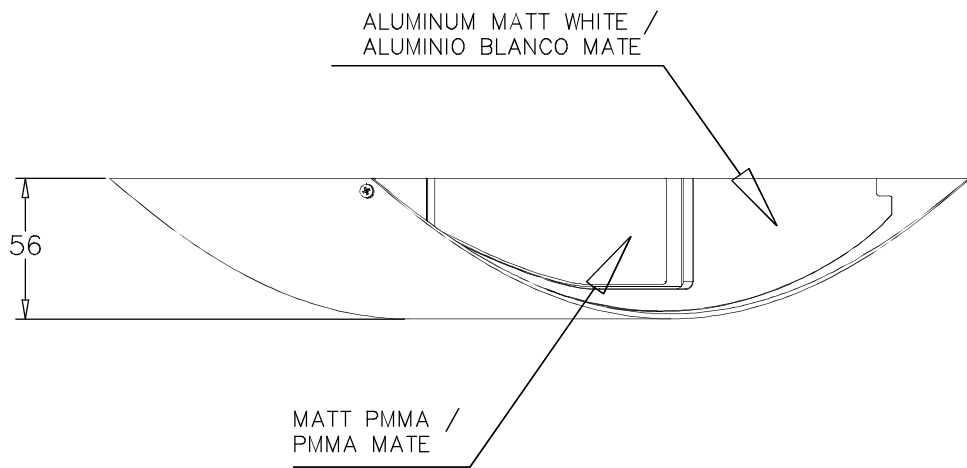
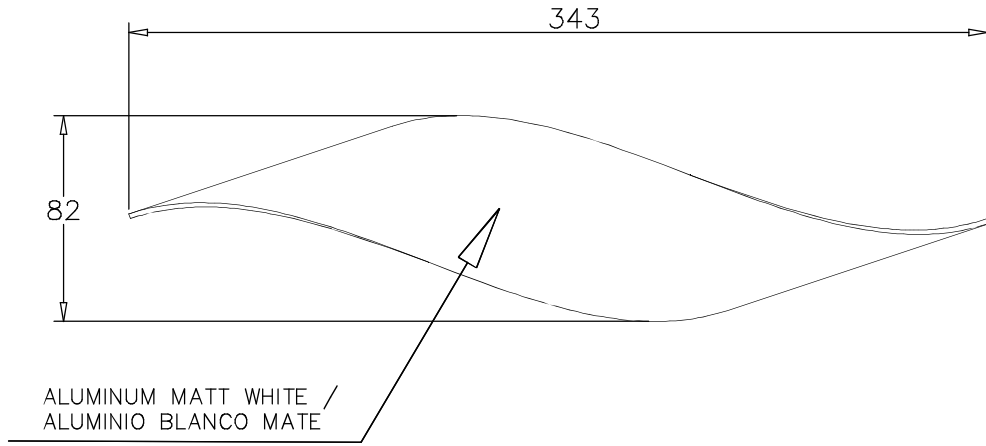
56mm x 345mm

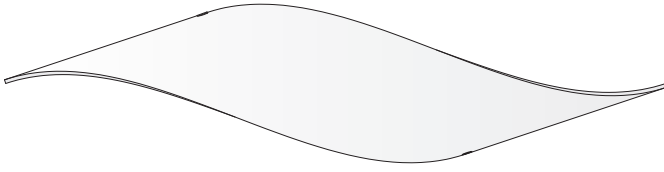


C Halfplanes
 180.0 — 0.0
 270.0 — 90.0

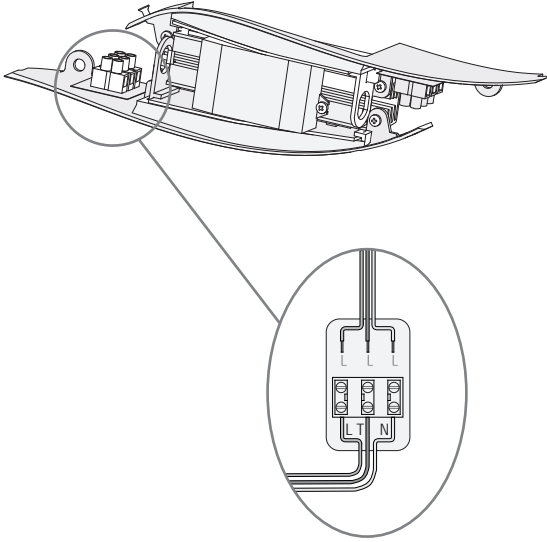
ULOR 50.00 %
 DLOR 50.00 %
 RN 50.00 %



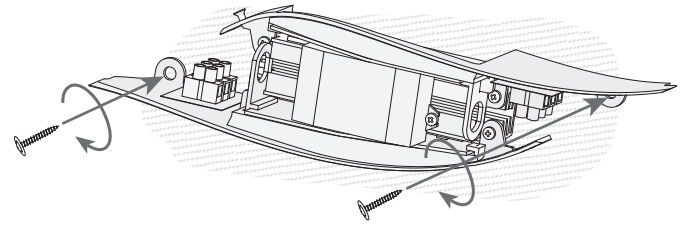




1

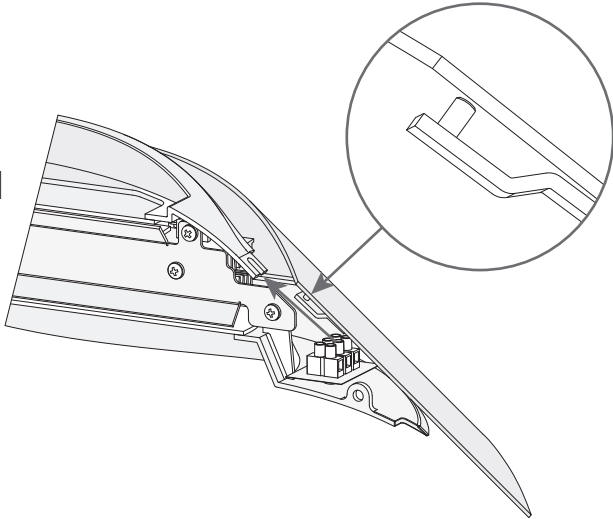


2

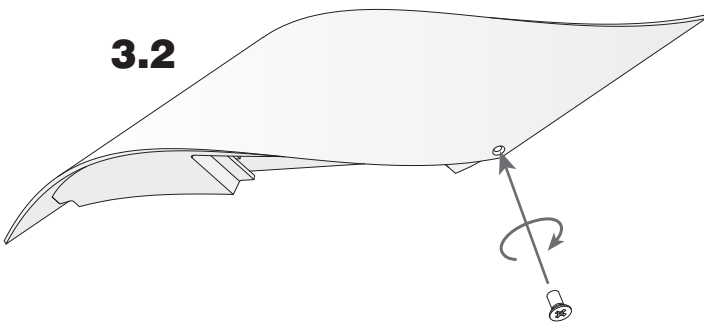


3

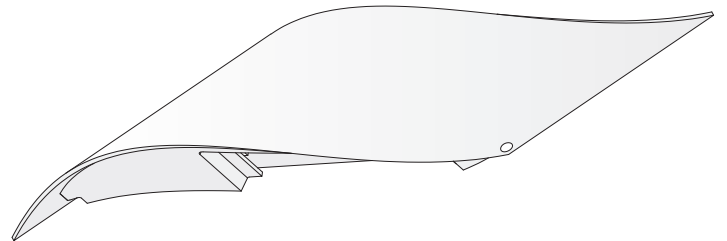
3.1

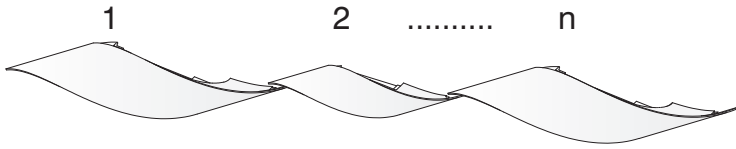


3.2

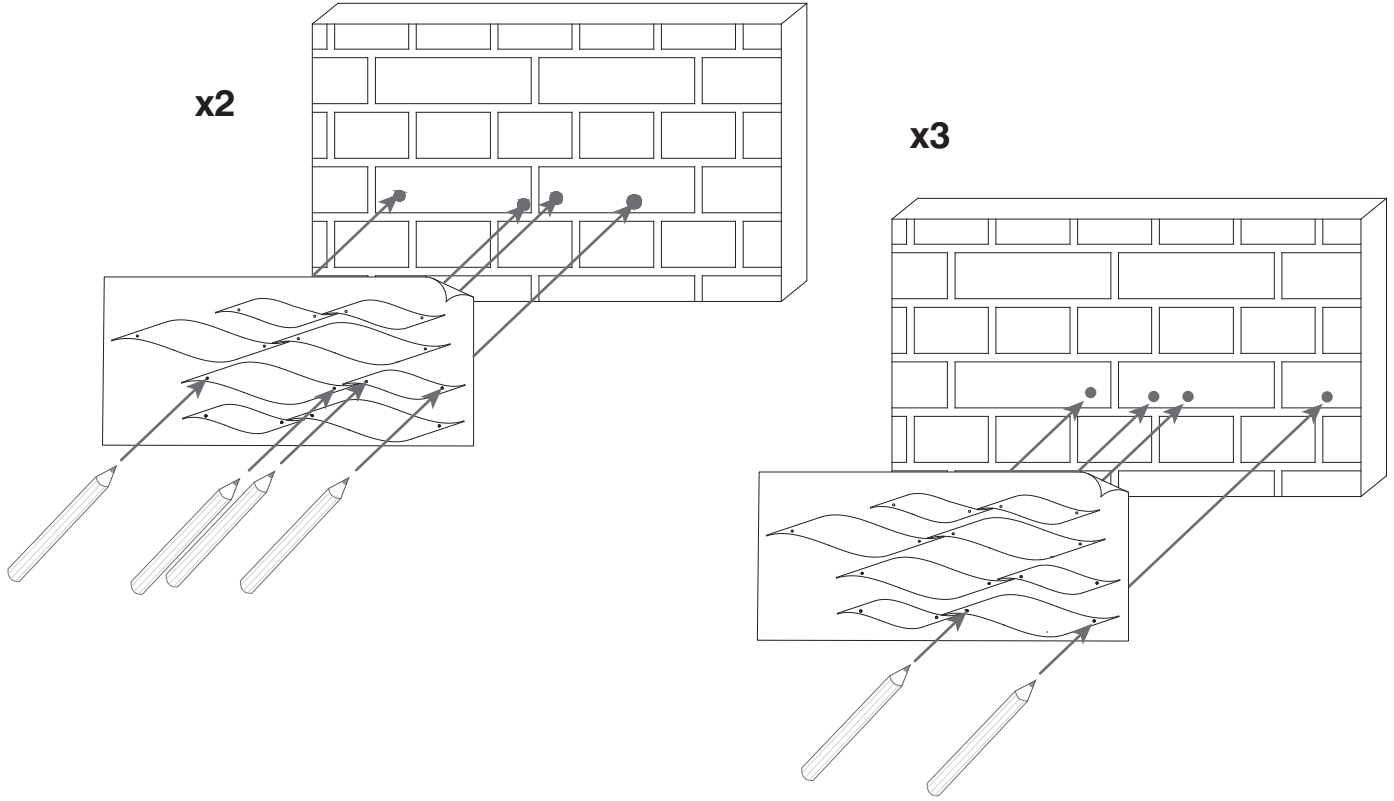


4

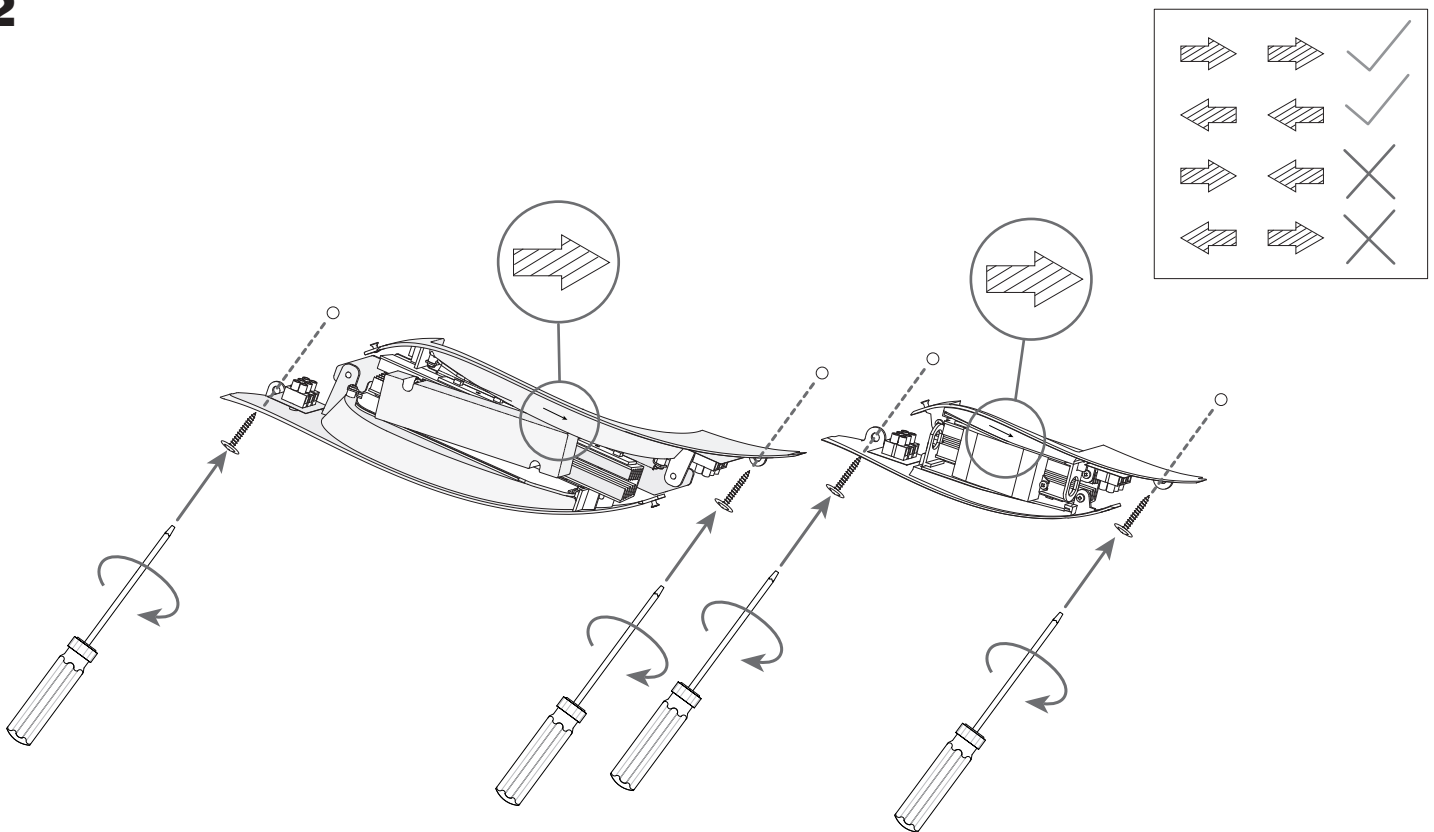


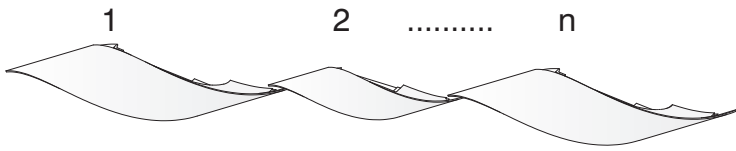


1

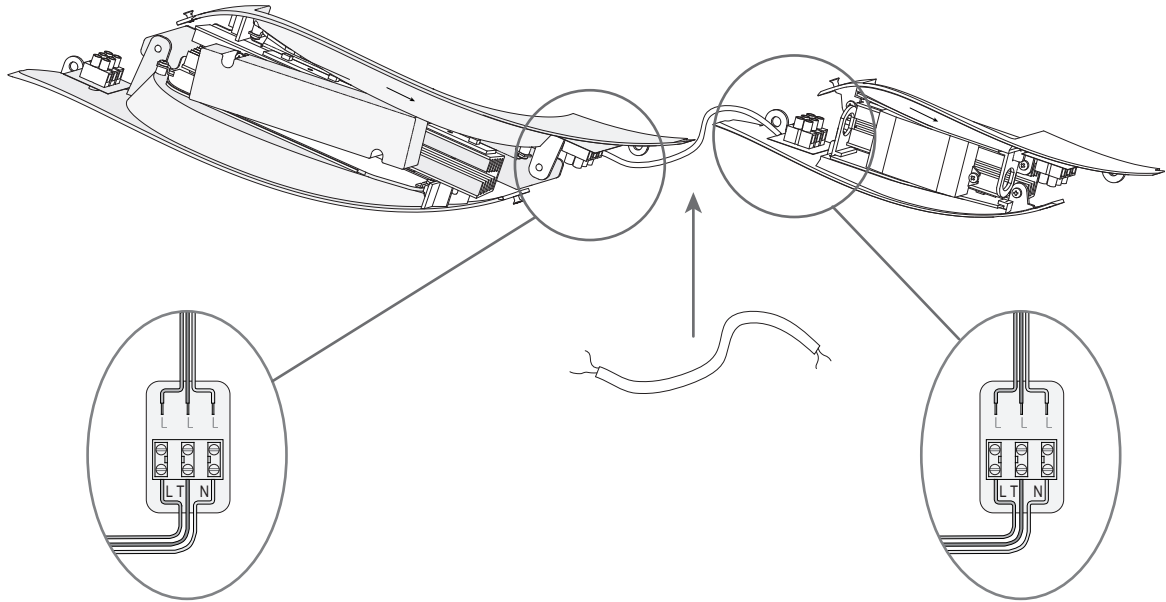


2





3



4

