

05-9832-34-CM

V0

## MICENAS Led Wall recessed

**Description**

Recessed for outdoor use.

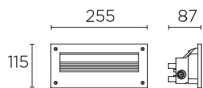
For frontal lighting and downlighting. Includes flush-mounting box. Includes 2 cable outlets to facilitate chain mounting. Structure material: High purity aluminium. Structure finish: Grey. Blades finishes: NA. Diffuser material: Glass. Diffuser finish: Matt. UV protection. Warranty: 5 Years.

**Finish**

Grey  
Matt  
NA

**Material**

High purity aluminium  
Glass



IP65 IK10



8

**TECHNICAL CHARACTERISTICS****Light source**

Light source: LED LEXTAR  
Output (W): 5.5W  
Total power consumption (W): 6.6  
Color temperature: LED neutral-white  
4000K  
CRI: 80  
Photobiological risk: RG0  
Real Lumen: 136  
Qty Leds: 15  
Lm/Real W: 21  
Life Time: 50.000h L80B20  
Bin / Grup: TA/TB  
MacAdam steps: 3  
UGR: 7.0

**GEAR**

Brand: EAGLERISE  
Gear included: Yes, electronic  
Voltage / Frequency: 100-240  
Power Factor: 0.50  
Dimming protocol: NO  
Flickering: -

**Luminaire**

Double cable exit: Yes  
Drainage: No  
Uv Protection: Yes  
Warranty: 5 Years

**Logistics**

Energy Efficiency: LED A++  
EAN Code: 8435381426163  
Net Weight (Kg): 0.920  
Weight in Kg (packaged): 1.186  
Packing: 270 x 130 x 120  
Masterbox: 8

The photograph may not match the reference exactly. Please read the product description to identify the finish.

# LEDS C4<sup>®</sup>

## Luminaria

Código 05-9832-34-CM  
Nombre MICENAS

## Ensayo

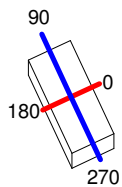
Código 05-9832-34-CM  
Nombre MICENAS

Flujo Luminaria	136.10 lm	Potencia luminaria	6.60 W	Eficacia	20.62 lm/W	Eficiencia	100.00%
Flujo de Lámpara	136.10 lm	Valor Máximo	486.99 cd/klm	Posición	C=90.00 G=42.00	CG	Asimétrico
Luminaria Rectangular		Longit.	255 mm	Anchura	115 mm	Altura	87 mm
Área Luminosa Rectangular		Longit.	207 mm	Anchura	50 mm	Altura	0 mm
Área Luminosa Horizontal			0.010350 m2	Área Emisión sobre Pl. 180°			0.000000 m2
Área Emisión sobre Pl. 0°			0.000000 m2	Área Emisión sobre Pl. 270°			0.000000 m2
Área Emisión sobre Pl. 90°			0.000000 m2	Área de deslumbramiento a 76°			0.002504 m2
Sist. de Coordin.		CG		Tipo de Simetría		Asimétrico	
Fecha		17-02-2017		Máximo Ángulo Gamma		90	
Distancia de Ensayo		0.00		Flujo de Ensayo		136.10 lm	
Operador		qualitat		Tensión de alimentación [V]			
Temperatura		25.00 °C		Corriente de alimentación [A]			
Humedad		60.00 %		Fotocélula			
Notas							

## Lámparas de la Luminaria

Familia	Código	Nombre	Flujo [lm]	Pot. [W]	Cant.
	05-9832-Z5-CM	05-9832-Z5-CM	136.10	6.60	1
C.I.E.	45 79 97 100 100	D DIN 5040	A30		
F UTE	1.00 E	B NBN	BZ 5 / 2 / BZ 4		

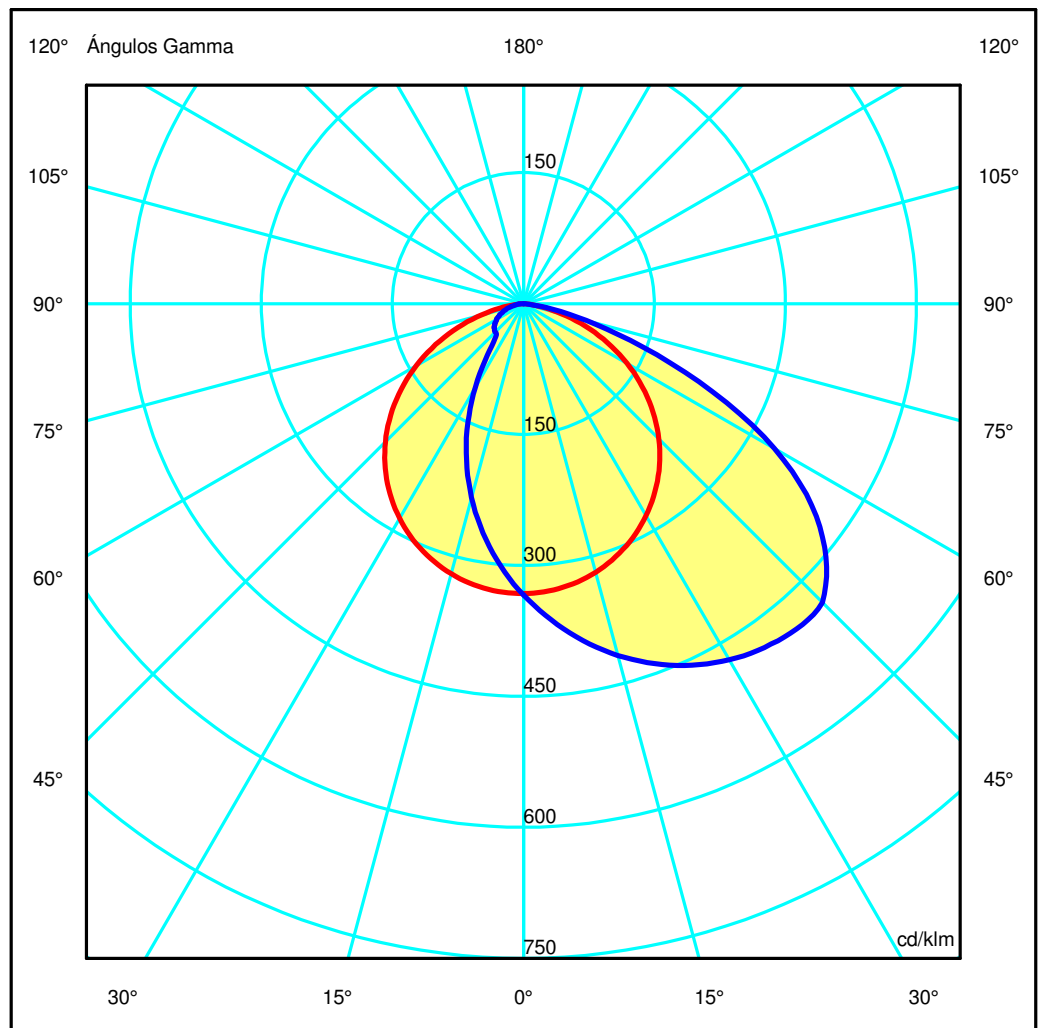
255mm x 115mm



Semiplanos C

180.0 — 0.0  
270.0 — 90.0

ULOR 0.00 %  
DLOR 100.00 %  
RN 0.00 %





**Luminaria**

Código 05-9832-34-CM

Nombre MICENAS

**Ensayo**

Código 05-9832-34-CM

Nombre MICENAS

Flujo Luminaria	136.10 lm	Potencia luminaria	6.60 W	Eficacia	20.62 lm/W	Eficiencia	100.00%
Flujo de Lámpara	136.10 lm	Valor Máximo	486.99 cd/klm	Posición	C=90.00 G=42.00	CG	Asimétrico

**Tabla de Intensidad Luminosa cd/klm Tabla 2/4**

	C 195.00	C 210.00	C 225.00	C 240.00	C 255.00	C 270.00	C 285.00	C 300.00	C 315.00	C 330.00	C 345.00
G 0.0	332.18	329.90	333.14	328.14	327.70	333.73	327.48	333.28	328.36	332.55	330.05
G 1.0	330.57	326.67	328.88	322.63	321.45	327.55	321.16	327.92	323.66	329.39	328.29
G 2.0	328.95	323.51	324.47	317.19	315.43	321.45	314.84	322.19	319.10	326.16	326.30
G 3.0	327.26	320.06	319.84	311.32	308.89	314.70	308.60	316.39	314.25	322.70	324.32
G 4.0	325.35	316.68	314.99	305.66	302.65	308.16	301.98	310.73	309.48	319.32	322.19
G 5.0	323.37	313.01	310.21	299.71	295.96	301.40	295.59	304.92	304.34	315.58	320.06
G 6.0	321.38	309.18	305.51	293.83	289.49	294.71	288.68	298.82	299.12	311.83	317.63
G 7.0	319.18	305.51	300.44	287.51	282.51	288.02	282.07	292.95	294.05	308.08	315.14
G 8.0	316.90	301.69	295.52	281.48	275.90	280.90	275.09	286.63	288.83	305.14	312.56
G 9.0	314.55	297.65	290.08	275.09	268.85	273.70	268.26	280.46	283.32	300.37	309.85
G 10.0	311.98	293.68	284.72	268.92	262.01	266.72	261.13	273.99	277.88	295.59	307.20
G 11.0	309.40	289.35	279.50	262.31	254.89	259.29	254.08	267.38	272.30	291.62	304.41
G 12.0	306.83	285.16	274.14	255.84	248.86	252.17	247.02	261.06	266.79	287.44	301.25
G 13.0	303.89	280.68	268.48	249.16	240.34	245.04	239.68	254.59	260.91	283.10	298.31
G 14.0	301.10	276.27	262.89	242.69	233.14	237.25	232.48	247.69	255.11	278.40	295.08
G 15.0	298.16	271.71	257.31	235.78	225.28	229.90	224.83	241.00	249.16	273.92	291.77
G 16.0	294.86	266.94	251.36	228.73	218.00	221.97	217.12	234.02	243.06	269.14	288.46
G 17.0	291.70	262.31	245.33	221.97	210.73	214.18	209.92	227.19	237.18	264.51	285.16
G 18.0	288.46	257.60	239.60	215.14	203.31	206.69	202.35	220.43	231.08	259.59	281.48
G 19.0	285.08	252.46	233.36	207.86	195.30	198.97	194.34	213.15	224.61	254.67	277.74
G 20.0	281.56	247.61	227.41	200.96	187.73	190.89	186.77	206.25	218.52	249.74	274.43
G 21.0	277.81	242.40	221.23	193.46	179.87	183.10	178.84	198.75	211.98	244.38	270.24
G 22.0	274.28	237.11	214.84	186.33	172.30	175.02	170.90	191.70	205.73	239.16	266.05
G 23.0	270.39	232.11	208.52	178.99	164.14	167.23	163.04	184.20	199.04	234.02	262.09
G 24.0	266.64	226.97	202.28	171.86	156.36	158.85	155.18	176.78	192.65	228.58	258.05
G 25.0	262.60	221.45	195.66	164.29	148.20	150.48	147.02	169.58	185.82	223.22	253.71
G 26.0	258.56	215.80	189.13	156.94	140.56	142.17	138.94	162.16	178.91	217.56	249.52
G 27.0	254.30	210.43	182.37	149.30	132.55	134.61	131.30	154.08	172.45	211.83	245.11
G 28.0	250.18	204.63	175.90	141.66	124.39	126.30	123.07	146.66	165.61	206.25	241.07
G 29.0	245.70	198.90	169.14	134.53	116.53	118.30	114.92	139.31	158.71	200.66	236.08
G 30.0	241.44	193.31	162.67	127.19	108.74	109.99	107.05	131.81	151.87	194.86	231.52
G 31.0	236.81	187.66	155.69	119.40	100.81	101.91	99.56	124.32	145.04	189.13	226.67
G 32.0	232.33	181.70	149.01	111.61	93.53	94.42	91.84	116.53	137.91	183.10	221.97
G 33.0	227.63	175.90	141.95	104.41	85.82	86.55	84.64	109.11	131.23	177.22	216.90
G 34.0	222.78	169.65	135.05	97.35	78.62	79.28	76.93	101.62	124.25	171.05	212.05
G 35.0	218.07	163.78	128.43	90.15	71.49	72.01	70.24	94.56	117.56	164.88	206.91
G 36.0	213.01	157.97	121.53	83.32	65.39	65.76	63.85	87.36	110.73	158.85	201.84
G 37.0	208.23	151.73	114.92	76.19	59.88	60.18	58.71	80.16	103.60	152.68	196.84
G 38.0	203.23	145.55	108.08	69.51	55.55	55.84	54.45	73.33	96.55	146.66	191.48
G 39.0	197.94	139.60	101.10	63.63	51.95	52.02	51.07	67.08	90.15	140.34	186.11
G 40.0	192.80	133.14	94.49	58.49	49.45	49.45	48.42	61.13	83.54	134.24	180.90
G 41.0	187.51	127.11	87.88	54.00	45.78	47.54	46.66	56.14	77.30	127.70	175.31
G 42.0	182.37	120.72	81.63	50.26	46.07	46.58	45.78	52.53	70.76	121.53	169.95
G 43.0	176.78	114.70	75.31	47.54	45.41	45.78	45.04	48.79	64.73	115.06	164.14
G 44.0	171.49	108.38	69.14	45.41	44.89	45.48	44.75	46.36	58.93	109.11	158.63
G 45.0	165.83	102.42	62.97	44.16	45.04	45.70	44.97	44.67	54.00	102.79	152.76
G 46.0	160.10	96.40	57.38	43.50	45.26	45.92	45.11	43.72	49.82	96.69	147.17
G 47.0	154.59	90.08	52.90	42.69	45.19	45.63	44.82	42.84	46.22	90.30	141.51
G 48.0	148.79	84.13	48.93	42.69	44.23	44.75	43.86	42.54	43.35	84.28	135.71
G 49.0	143.28	78.10	45.85	42.76	43.13	43.79	42.76	42.62	41.22	78.18	129.76
G 50.0	137.40	72.23	42.98	42.62	42.84	43.57	42.69	42.62	39.75	72.45	124.03
G 51.0	131.81	66.57	41.00	41.88	42.84	43.57	42.62	42.10	38.79	66.72	118.00
G 52.0	125.72	61.20	39.53	40.71	42.10	42.84	41.66	41.15	37.99	61.13	112.27
G 53.0	120.06	55.99	38.79	40.12	40.85	41.44	40.34	40.12	37.69	55.55	106.25
G 54.0	114.03	50.70	38.06	39.97	39.46	40.19	39.16	39.97	37.55	50.55	100.51
G 55.0	108.30	46.22	38.43	39.38	39.16	40.04	39.02	39.60	37.25	45.70	94.64
G 56.0	102.35	42.03	37.84	37.99	38.94	39.68	38.57	38.57	36.37	41.66	88.98
G 57.0	96.77	38.79	37.33	36.66	37.77	38.50	37.33	37.03	35.19	38.43	83.03
G 58.0	90.89	35.93	36.22	36.15	36.08	36.74	35.49	36.22	34.53	35.64	77.15
G 59.0	85.30	33.73	35.12	35.78	34.97	35.86	34.75	35.93	34.17	33.50	71.64
G 60.0	79.43	32.04	34.75	34.46	34.75	35.71	34.53	35.12	33.14	31.96	66.27
G 61.0	73.92	30.93	34.31	32.92	33.87	34.75	33.36	33.50	31.67	30.86	60.91
G 62.0	68.19	30.05	32.99	31.89	32.11	32.99	31.59	32.11	30.64	29.90	55.84
G 63.0	62.75	29.54	31.45	31.52	30.35	31.23	29.90	31.67	30.12	29.46	50.48
G 64.0	57.68	29.10	30.79	30.27	29.76	30.71	29.54	30.93	29.02	29.10	45.41
G 65.0	52.61	28.29	30.20	28.36	29.10	30.12	28.66	29.24	27.41	28.21	40.71
G 66.0	47.47	27.11	28.80	27.04	27.48	28.43	26.82	27.48	26.30	26.97	36.52
G 67.0	42.76	26.16	27.19	26.52	25.42	26.38	25.06	26.82	25.72	26.16	32.33
G 68.0	38.28	25.50	26.60	25.28	24.69	25.57	24.69	25.94	24.32	25.42	28.36
G 69.0	34.02	24.17	25.57	23.44	24.03	24.98	23.51	24.17	22.48	24.03	25.13
G 70.0	30.12	22.78	23.88	22.12	22.26	23.44	21.75	22.48	21.75	22.78	22.34
G 71.0	26.45	22.04	22.34	21.53	20.43	21.45	19.91	21.90	20.65	22.12	20.28
G 72.0	23.44	20.79	21.68	19.91	19.69	20.50	19.40	20.72	18.96	20.65	18.66

**Luminaria**

Código 05-9832-34-CM

Nombre MICENAS

**Ensayo**

Código 05-9832-34-CM

Nombre MICENAS

Flujo Luminaria	136.10 lm	Potencia luminaria	6.60 W	Eficacia	20.62 lm/W	Eficiencia	100.00%
Flujo de Lámpara	136.10 lm	Valor Máximo	486.99 cd/klm	Posición	C=90.00 G=42.00	CG	Asimétrico

**Tabla de Intensidad Luminosa cd/klm Tabla 3/4**

	C 0.00	C 15.00	C 30.00	C 45.00	C 60.00	C 75.00	C 90.00	C 105.00	C 120.00	C 135.00	C 150.00	C 165.00	C 180.00
G 73.0	57.09	119.32	168.19	136.08	130.64	116.46	99.41	118.59	118.30	158.05	160.84	137.55	61.72
G 74.0	51.21	112.12	153.49	119.62	113.52	101.76	86.85	103.16	103.60	139.31	146.80	130.05	55.55
G 75.0	45.48	104.11	139.31	103.09	98.02	87.88	74.58	89.86	89.27	122.48	131.45	122.19	49.89
G 76.0	39.82	95.96	123.73	88.17	83.69	75.46	63.63	76.05	75.90	105.58	116.16	113.52	44.09
G 77.0	34.53	86.19	107.71	74.14	71.05	63.63	53.86	64.81	64.07	89.86	99.93	104.04	38.57
G 78.0	29.24	76.63	91.55	61.06	58.93	52.76	43.72	54.00	53.42	75.75	84.86	93.75	33.21
G 79.0	24.32	66.79	76.05	49.67	48.13	42.91	35.19	44.31	43.64	62.09	70.32	83.25	27.92
G 80.0	19.76	56.87	61.57	39.53	38.43	34.09	27.11	35.27	34.53	50.33	56.58	72.59	23.14
G 81.0	15.43	46.51	48.35	30.35	29.61	25.86	20.06	27.04	26.75	39.82	44.82	61.50	18.52
G 82.0	11.76	36.66	36.88	22.48	21.60	18.52	13.45	19.62	19.25	30.57	34.46	50.48	14.47
G 83.0	8.52	26.89	26.82	15.36	14.62	11.68	7.13	12.64	12.64	22.26	24.98	39.16	10.73
G 84.0	6.02	18.15	18.52	9.26	8.16	5.29	2.35	6.17	6.61	15.06	17.41	28.58	7.71
G 85.0	4.26	11.46	10.87	3.82	2.87	1.76	0.66	2.13	2.13	8.74	11.09	19.32	5.44
G 86.0	3.09	6.25	6.02	1.03	0.73	0.59	0.51	0.59	0.59	3.09	5.88	11.83	3.82
G 87.0	2.28	2.72	1.69	0.44	0.51	0.44	0.29	0.44	0.37	0.73	1.69	6.32	2.65
G 88.0	1.62	0.81	0.51	0.37	0.37	0.29	0.22	0.37	0.29	0.37	0.51	2.57	1.91
G 89.0	0.88	0.37	0.29	0.22	0.29	0.22	0.22	0.29	0.22	0.29	0.29	0.66	1.25
G 90.0	0.44	0.29	0.22	0.15	0.22	0.22	0.22	0.22	0.22	0.22	0.22	0.22	0.59

**Luminaria**

Código 05-9832-34-CM  
Nombre MICENAS

**Ensayo**

Código 05-9832-34-CM  
Nombre MICENAS

Flujo Luminaria	136.10 lm	Potencia luminaria	6.60 W	Eficacia	20.62 lm/W	Eficiencia	100.00%
Flujo de Lámpara	136.10 lm	Valor Máximo	486.99 cd/klm	Posición	C=90.00 G=42.00	CG	Asimétrico

**Tabla de Intensidad Luminosa cd/klm Tabla 4/4**

	C 195.00	C 210.00	C 225.00	C 240.00	C 255.00	C 270.00	C 285.00	C 300.00	C 315.00	C 330.00	C 345.00
G 73.0	21.01	19.25	20.21	18.07	18.81	19.84	18.37	18.74	17.71	19.18	17.49
G 74.0	19.10	18.44	18.44	17.41	17.05	18.07	16.53	17.63	16.97	18.37	16.53
G 75.0	17.56	16.97	17.63	16.39	15.36	16.09	15.06	16.90	15.36	16.83	15.72
G 76.0	16.53	15.58	16.39	14.62	14.77	15.43	14.55	15.21	14.03	15.50	14.55
G 77.0	15.65	14.55	14.62	13.30	13.74	14.47	13.15	13.59	13.23	14.47	13.52
G 78.0	14.47	13.01	13.89	12.64	11.98	12.71	11.46	13.01	11.61	12.78	12.27
G 79.0	13.37	11.98	12.42	11.09	11.02	11.54	10.87	11.54	10.58	11.90	11.09
G 80.0	11.98	10.58	10.87	9.92	10.29	10.95	9.92	10.07	9.63	10.43	9.77
G 81.0	10.73	9.55	10.14	9.26	8.67	9.40	8.30	9.55	8.16	9.48	8.60
G 82.0	9.26	8.23	8.52	7.79	7.42	8.01	7.49	8.16	7.57	8.01	7.35
G 83.0	8.01	7.20	7.79	6.76	7.05	7.57	6.76	6.91	6.32	7.27	6.25
G 84.0	6.76	6.02	6.54	5.44	5.66	6.17	5.29	6.25	5.36	5.80	5.14
G 85.0	5.58	5.22	5.51	4.70	4.78	4.92	4.63	4.85	4.56	5.00	4.19
G 86.0	4.48	3.97	4.63	4.19	4.19	4.56	3.89	4.19	3.53	3.97	3.23
G 87.0	3.45	3.23	3.60	3.23	2.94	2.50	2.65	3.23	2.87	3.01	2.42
G 88.0	2.50	2.50	2.57	2.28	3.09	2.42	2.28	2.28	1.91	2.28	1.69
G 89.0	1.62	1.62	1.98	1.76	1.03	1.76	1.47	1.69	1.40	1.47	0.96
G 90.0	0.81	0.96	0.96	0.81	0.73	0.66	0.59	0.73	0.73	0.73	0.59

# LEDS C4<sup>®</sup>

**Luminaria**

Código 05-9832-34-CM  
Nombre MICENAS

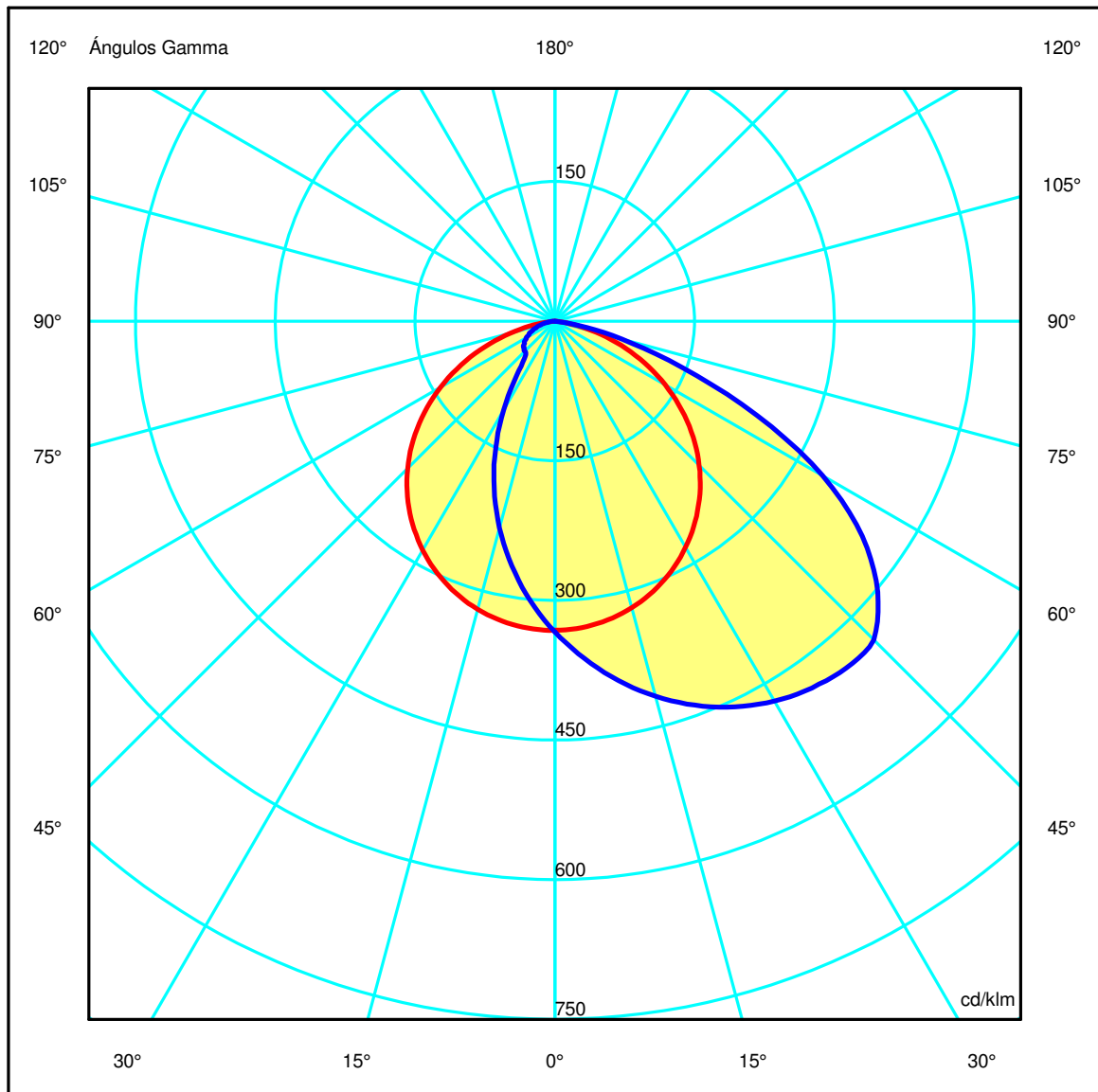
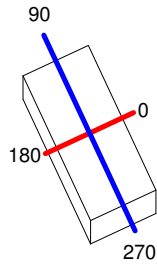
**Ensayo**

Código 05-9832-34-CM  
Nombre MICENAS

Flujo Luminaria	136.10 lm	Potencia luminaria	6.60 W	Eficacia	20.62 lm/W	Eficiencia	100.00%
Flujo de Lámpara	136.10 lm	Valor Máximo	486.99 cd/klm	Posición	C=90.00 G=42.00	CG	Asimétrico

255mm x 115mm

Semiplanos C



# LEDS C4<sup>®</sup>

## Luminaria

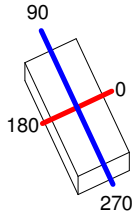
Código 05-9832-34-CM  
Nombre MICENAS

## Ensayo

Código 05-9832-34-CM  
Nombre MICENAS

Flujo Luminaria	136.10 lm	Potencia luminaria	6.60 W	Eficacia	20.62 lm/W	Eficiencia	100.00%
Flujo de Lámpara	136.10 lm	Valor Máximo	486.99 cd/klm	Posición	C=90.00 G=42.00	CG	Asimétrico

255mm x 115mm



Semiplanos C

180.0 ——— 0.0  
270.0 ——— 90.0





**Luminaria**

Código 05-9832-34-CM  
Nombre MICENAS

**Ensayo**

Código 05-9832-34-CM  
Nombre MICENAS

Flujo Luminaria	136.10 lm	Potencia luminaria	6.60 W	Eficacia	20.62 lm/W	Eficiencia	100.00%
Flujo de Lámpara	136.10 lm	Valor Máximo	486.99 cd/klm	Posición	C=90.00 G=42.00	CG	Asimétrico

**UGR**  
S = 0.250

Reflectancias										
Ceiling/Cavity	0.7	0.7	0.5	0.5	0.3	0.7	0.7	0.5	0.5	0.3
Walls	0.5	0.3	0.5	0.3	0.3	0.5	0.3	0.5	0.3	0.3
WorkingPlane	0.2	0.2	0.2	0.2	0.2	0.2	0.2	0.2	0.2	0.2
RoomDimensions	Viewed Crosswise					Viewed Endwise				
x=2H y=2H	18.3	19.6	18.6	19.8	20.1	7.0	8.4	7.3	8.6	8.8
x=2H y=3H	19.8	21.0	20.1	21.3	21.6	8.8	10.0	9.1	10.2	10.5
x=2H y=4H	20.3	21.5	20.7	21.8	22.1	9.5	10.6	9.8	10.9	11.2
x=2H y=6H	20.6	21.7	21.0	22.0	22.3	10.1	11.1	10.4	11.4	11.8
x=2H y=8H	20.7	21.7	21.1	22.0	22.3	10.3	11.3	10.7	11.6	11.9
x=2H y=12H	20.7	21.7	21.1	22.0	22.3	10.5	11.4	10.8	11.8	12.1
x=4H y=2H	19.8	20.9	20.1	21.2	21.5	7.9	9.0	8.2	9.3	9.6
x=4H y=3H	21.5	22.5	21.9	22.8	23.2	9.8	10.8	10.2	11.1	11.4
x=4H y=4H	22.2	23.1	22.6	23.4	23.8	10.6	11.5	11.0	11.8	12.2
x=4H y=6H	22.7	23.5	23.1	23.8	24.2	11.3	12.1	11.7	12.5	12.9
x=4H y=8H	22.8	23.5	23.3	23.9	24.3	11.6	12.3	12.0	12.7	13.1
x=4H y=12H	22.8	23.5	23.3	23.9	24.3	11.8	12.4	12.3	12.8	13.3
x=8H y=4H	22.6	23.3	23.0	23.7	24.1	11.0	11.7	11.5	12.1	12.5
x=8H y=6H	23.2	23.7	23.6	24.2	24.6	11.9	12.4	12.3	12.9	13.3
x=8H y=8H	23.4	23.8	23.8	24.3	24.8	12.2	12.7	12.7	13.2	13.6
x=8H y=12H	23.4	23.8	23.9	24.3	24.8	12.5	12.9	13.0	13.4	13.9
x=12H y=4H	22.6	23.2	23.0	23.6	24.1	11.1	11.7	11.5	12.1	12.6
x=12H y=6H	23.2	23.7	23.7	24.1	24.6	12.0	12.5	12.5	12.9	13.4
x=12H y=8H	23.4	23.8	23.9	24.3	24.8	12.4	12.8	12.9	13.3	13.8

## Luminaria

Código 05-9832-34-CM  
Nombre MICENAS

## Ensayo

Código 05-9832-34-CM  
Nombre MICENAS

Flujo Luminaria	136.10 lm	Potencia luminaria	6.60 W	Eficacia	20.62 lm/W	Eficiencia	100.00%
Flujo de Lámpara	136.10 lm	Valor Máximo	486.99 cd/klm	Posición	C=90.00 G=42.00	CG	Asimétrico

Flujo Total=136.10 Flujo Luminaria=136.10

RI	0.60	0.80	1.00	1.25	1.50	2.00	2.50	3.00	4.00	5.00	10.00	20.00
DRR	0.29	0.38	0.45	0.53	0.59	0.68	0.74	0.78	0.83	0.87	0.93	0.97
RC	5	5	5	5	5	5	5	5	5	4	4	4

Flujo Zonal por 1000 Lúmenes

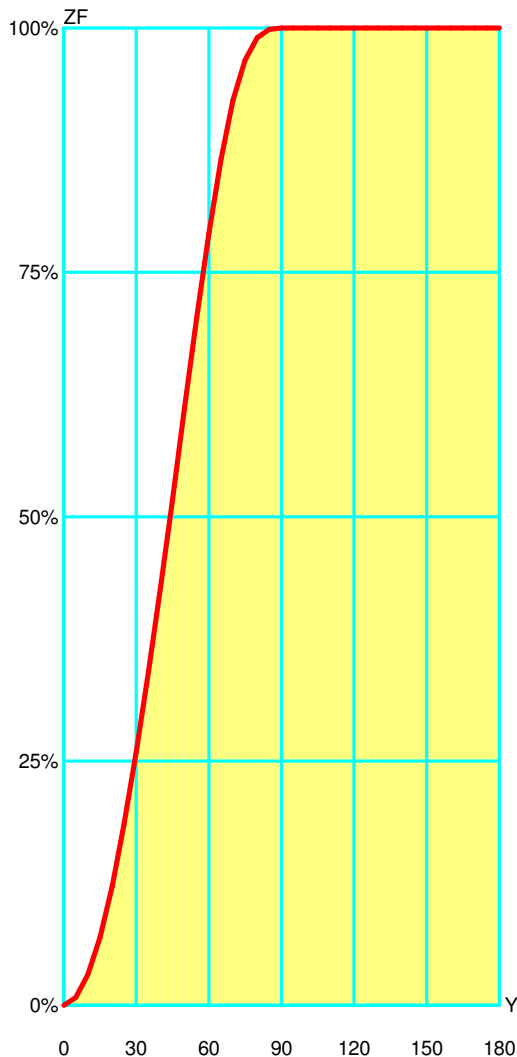
Y°	10	20	30	40	50	60	70	80	90	100	110	120	130	140	150	160	170	180
ZF(Y)	31	121	259	428	612	790	926	990	1000	1000	1000	1000	1000	1000	1000	1000	1000	1000

Códigos de Flujo C.I.E.

45 79 97 100 100

C.I.E. 5/5/5/5/5/5/5/4/4  
D DIN 5040 A30  
F UTE 1.00 E  
B NBN BZ 5 / 2 / BZ 4  
RN 0.00000 %  
BLF 1.0

LOR 99.99712 %  
ULOR 0.00000 %  
DLOR 99.99712 %  
UFF 0.00000 %  
DFF 100.00000 %  
FFR 0.00000 %



Gamma °	Flujo Zonal			
	Flujo	Suma lm	Flujo [%]	Suma [%]
0°	0.00	0.00	0.00%	0.00 %
5°	7.89	7.89	0.79 %	0.79 %
10°	23.43	31.32	2.34 %	3.13 %
15°	38.25	69.57	3.83 %	6.96 %
20°	51.89	121.46	5.19 %	12.15 %
25°	63.88	185.34	6.39 %	18.53 %
30°	73.84	259.18	7.38 %	25.92 %
35°	81.51	340.69	8.15 %	34.07 %
40°	86.99	427.68	8.70 %	42.77 %
45°	91.01	518.70	9.10 %	51.87 %
50°	93.25	611.95	9.33 %	61.20 %
55°	91.93	703.88	9.19 %	70.39 %
60°	86.32	790.20	8.63 %	79.02 %
65°	75.81	866.01	7.58 %	86.60 %
70°	60.00	926.02	6.00 %	92.60 %
75°	41.13	967.15	4.11 %	96.72 %
80°	23.06	990.21	2.31 %	99.02 %
85°	8.51	998.71	0.85 %	99.87 %
90°	1.26	999.97	0.13 %	100.00 %
95°	0.00	999.97	0.00 %	100.00 %
100°	0.00	999.97	0.00 %	100.00 %
105°	0.00	999.97	0.00 %	100.00 %
110°	0.00	999.97	0.00 %	100.00 %
115°	0.00	999.97	0.00 %	100.00 %
120°	0.00	999.97	0.00 %	100.00 %
125°	0.00	999.97	0.00 %	100.00 %
130°	0.00	999.97	0.00 %	100.00 %
135°	0.00	999.97	0.00 %	100.00 %
140°	0.00	999.97	0.00 %	100.00 %
145°	0.00	999.97	0.00 %	100.00 %
150°	0.00	999.97	0.00 %	100.00 %
155°	0.00	999.97	0.00 %	100.00 %
160°	0.00	999.97	0.00 %	100.00 %
165°	0.00	999.97	0.00 %	100.00 %
170°	0.00	999.97	0.00 %	100.00 %
175°	0.00	999.97	0.00 %	100.00 %
180°	0.00	999.97	0.00 %	100.00 %

**Luminaria**

 Código 05-9832-34-CM  
 Nombre MICENAS

**Ensayo**

 Código 05-9832-34-CM  
 Nombre MICENAS

Flujo Luminaria	136.10 lm	Potencia luminaria	6.60 W	Eficacia	20.62 lm/W	Eficiencia	100.00%
Flujo de Lámpara	136.10 lm	Valor Máximo	486.99 cd/klm	Posición	C=90.00 G=42.00	CG	Asimétrico

## Utilización CIE

Montaje	Directo	Normalización										Normalizados										Raz. de Susp. 1/3			CIE Estándar		
Techo																											
K	8873	8773	8871	8771	7773	7771	7753	7553	7751	7551	7731	7331	7711	7111	5551	5531	5331	5511	5111	3331	3311	1111	0000				
0.60	220	197	174	157	188	150	112	95	89	76	47	35	17	12	71	38	34	14	11	32	12	10	0				
0.80	254	233	185	171	221	163	141	123	101	89	57	45	23	17	83	47	43	20	16	40	17	15	0				
1.00	276	257	187	175	244	167	164	146	108	97	64	52	29	22	91	54	50	25	21	47	22	20	0				
1.25	296	278	184	174	265	167	187	170	112	103	70	59	36	29	96	61	56	31	27	54	28	25	0				
1.50	309	294	179	171	280	165	206	189	114	106	74	65	42	34	100	66	62	37	33	59	33	30	0				
2.00	326	313	167	162	299	156	234	219	115	108	80	72	51	44	103	72	69	46	42	66	43	39	0				
2.50	337	326	158	154	312	149	254	241	114	109	84	77	59	52	104	77	74	54	50	71	50	47	0				
3.00	345	335	151	147	321	143	270	258	113	109	87	81	64	58	104	81	78	60	56	75	56	52	0				
4.00	356	348	141	139	333	136	292	281	112	109	91	86	73	67	105	86	83	68	65	80	64	61	0				
5.00	363	357	136	134	341	131	306	297	112	109	94	90	78	73	105	89	87	74	71	84	70	67	0				
10.00	378	374	122	122	359	120	340	335	110	108	100	98	91	88	105	96	95	88	86	93	85	82	0				
20.00	385	384	115	115	369	113	359	356	108	108	104	102	99	97	105	100	100	96	95	98	93	91	0				

Pared																							
K	8873	8773	8871	8771	7773	7771	7753	7553	7751	7551	7731	7331	7711	7111	5551	5531	5331	5511	5111	3331	3311	1111	0000
0.60	475	463	418	410	457	405	360	352	327	321	274	270	236	234	318	270	269	235	234	268	234	233	213
0.80	534	521	456	448	512	442	417	407	369	362	316	311	277	274	358	311	309	275	274	307	274	273	249
1.00	572	560	476	469	548	462	457	447	395	389	345	339	306	302	383	338	336	303	302	334	301	300	273
1.25	605	593	489	483	579	476	494	483	416	410	369	363	332	328	403	362	360	328	326	357	326	324	294
1.50	628	616	497	491	600	484	521	510	429	424	386	381	351	347	417	379	376	347	345	373	344	341	309
2.00	648	638	494	490	619	482	552	541	438	434	401	396	370	366	425	393	391	365	363	386	361	357	321
2.50	659	651	489	485	630	478	570	560	441	437	409	404	382	377	427	400	398	376	373	392	370	366	327
3.00	664	656	481	479	634	471	582	572	439	436	412	407	387	383	426	402	400	381	378	394	375	370	328
4.00	674	668	475	473	643	466	600	592	441	438	419	415	398	394	428	408	407	391	388	399	384	378	333
5.00	681	675	472	470	650	463	613	606	442	440	423	420	406	402	429	413	411	398	395	403	390	383	337
10.00	688	685	457	456	657	449	636	631	438	437	428	425	417	415	426	416	415	407	406	406	398	389	339
20.00	675	673	431	430	643	424	632	629	418	417	412	411	407	405	405	401	400	396	395	389	385	375	322

P.Trab.																							
K	8873	8773	8871	8771	7773	7771	7753	7553	7751	7551	7731	7331	7711	7111	5551	5531	5331	5511	5111	3331	3311	1111	0000
0.60	582	569	543	533	561	527	443	435	427	421	359	354	310	308	417	354	353	308	307	351	307	307	289
0.80	693	679	638	629	667	620	549	538	523	516	454	448	402	399	510	447	445	399	398	443	397	396	378
1.00	780	765	711	702	749	692	635	623	601	593	533	526	480	476	585	525	522	477	475	518	474	472	454
1.25	862	847	777	768	827	757	720	707	674	667	610	603	559	554	656	600	597	554	552	592	551	548	530
1.50	923	908	824	817	886	805	785	771	729	722	669	661	620	614	710	658	655	614	611	649	609	605	588
2.00	1000	998	891	885	971	872	884	870	810	804	759	751	715	709	790	745	742	707	704	734	700	695	679
2.50	1000	1000	932	927	1000	914	950	936	862	856	817	810	779	772	841	802	799	769	765	790	760	753	738
3.00	1000	1000	960	956	1000	943	997	984	898	893	859	852	824	817	876	843	840	813	809	829	803	795	781
4.00	1000	1000	993	990	1000	977	1000	1000	942	938	910	904	882	875	920	893	890	868	865	878	857	846	833
5.00	1000	1000	1000	1000	1000	997	1000	1000	968	965	942	936	917	911	946	923	921	903	899	907	889	877	865
10.00	1000	1000	1000	1000	1000	1000	1000	1000	1000	1000	1000	1000	994	990	1000	987	986	976	974	969	959	943	932
20.00	1000	1000	1000	1000	1000	1000	1000	1000	1000	1000	1000	1000	1000	1000	1000	1000	1000	1000	1000	1000	996	978	968

LM53 SHR C0-C180: 1.250 SHR C90-C270: 2.018 SHR Superficial: 1.882

# LEDS C4<sup>+</sup>

## Luminaria

Código 05-9832-34-CM  
Nombre MICENAS

## Ensayo

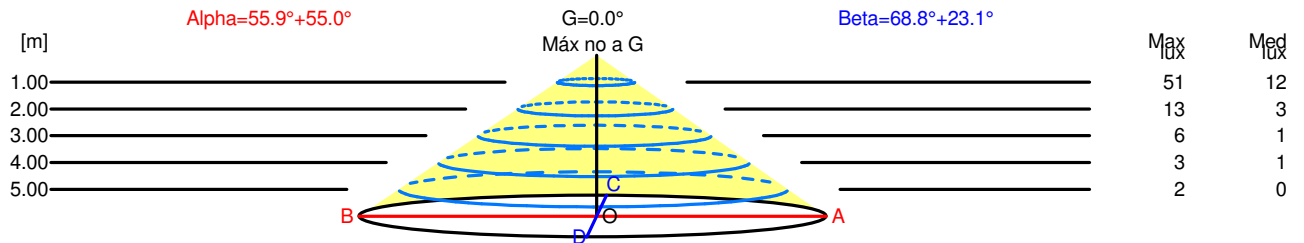
Código 05-9832-34-CM  
Nombre MICENAS

Flujo Luminaria	136.10 lm	Potencia luminaria	6.60 W	Eficacia	20.62 lm/W	Eficiencia	100.00%
Flujo de Lámpara	136.10 lm	Valor Máximo	486.99 cd/klm	Posición	C=90.00 G=42.00	CG	Asimétrico

### Apertura a 50.00 % de Max Intensidad

H[m]	1.00	2.00	3.00	4.00	5.00	H[m]	1.00	2.00	3.00	4.00	5.00
OA	1.43	2.85	4.28	5.71	7.13	OC	2.58	5.17	7.75	10.34	12.92
OB	1.48	2.95	4.43	5.90	7.38	OD	0.43	0.85	1.28	1.71	2.14

	Intensidades Luminosas [ cd/klm]									
	0	5	15	25	35	45	55	65	75	85
OA	45.18	44.96	43.36	40.27	35.73	29.80	22.58	14.47	6.19	0.58
OB	45.18	45.04	43.59	40.65	36.23	30.41	23.26	15.11	6.79	0.74
OC	45.42	49.48	56.78	62.20	65.44	65.87	54.79	32.50	10.15	0.09
OD	45.42	41.02	31.29	20.48	9.80	6.22	5.45	4.10	2.19	0.67



H[m]	D[m]	Max lux	Med lux	Alpha=55.9°+55.0°	G=0.0 Máx no a G	
1.00	2.90	51	12			
2.00	5.80	13	3			
3.00	8.71	6	1			
4.00	11.61	3	1			
5.00	14.51	2	0			

H[m]	D[m]	Max lux	Med lux	Beta=23.1°+68.8°	G=0.0 Máx no a G	
1.00	3.01	51	12			
2.00	6.02	13	3			
3.00	9.04	6	1			
4.00	12.05	3	1			
5.00	15.06	2	0			

# LEDS C4<sup>®</sup>

## Luminaria

Código 05-9832-34-CM  
Nombre MICENAS

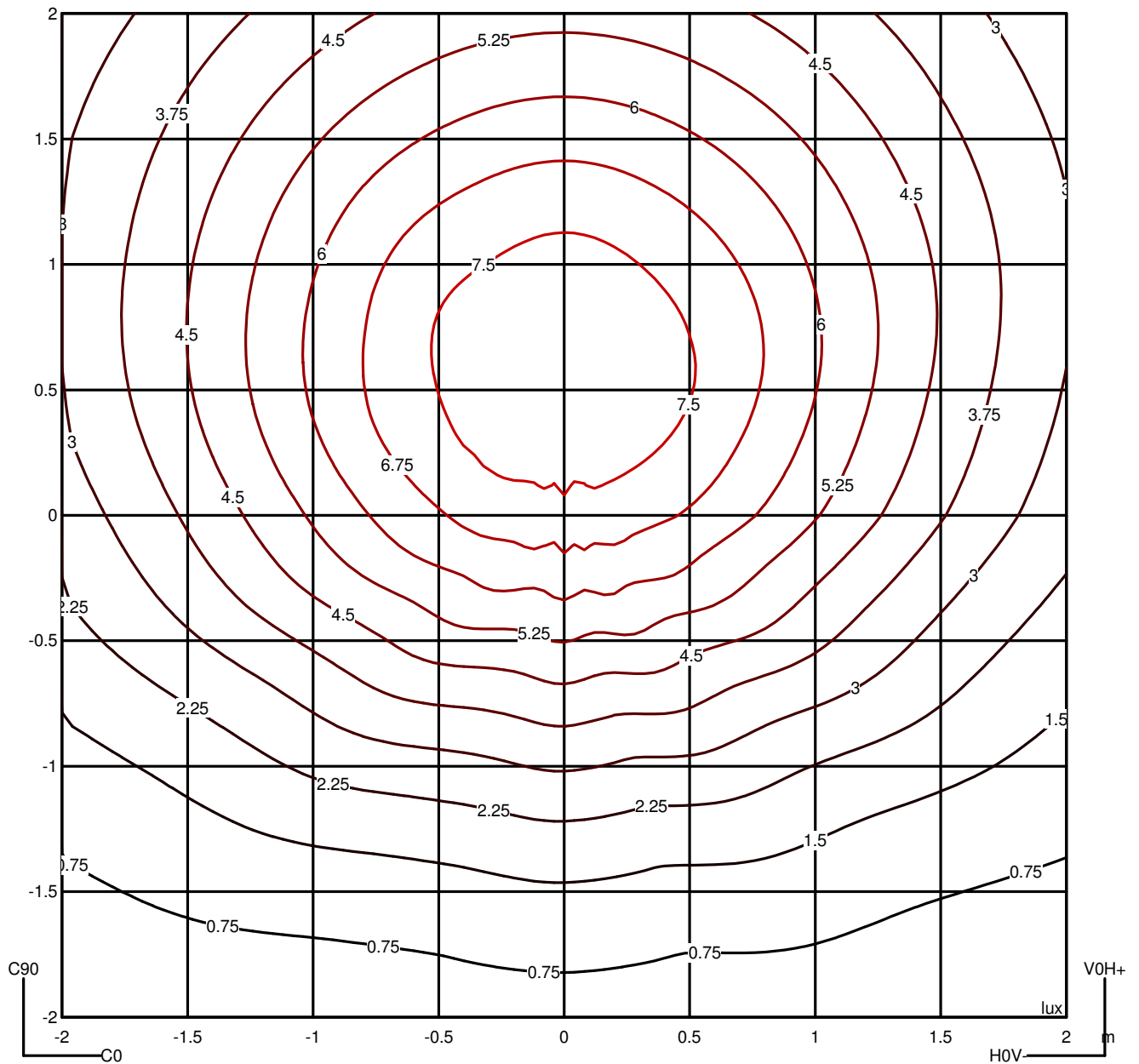
## Ensayo

Código 05-9832-34-CM  
Nombre MICENAS

Flujo Luminaria	136.10 lm	Potencia luminaria	6.60 W	Eficacia	20.62 lm/W	Eficiencia	100.00%
Flujo de Lámpara	136.10 lm	Valor Máximo	486.99 cd/klm	Posición	C=90.00 G=42.00	CG	Asimétrico

Isolux (Suelo)

Posición Luminaria X=0.00m Y=0.00m Z=2.50m



# LEDS C4<sup>®</sup>

**Luminaria**

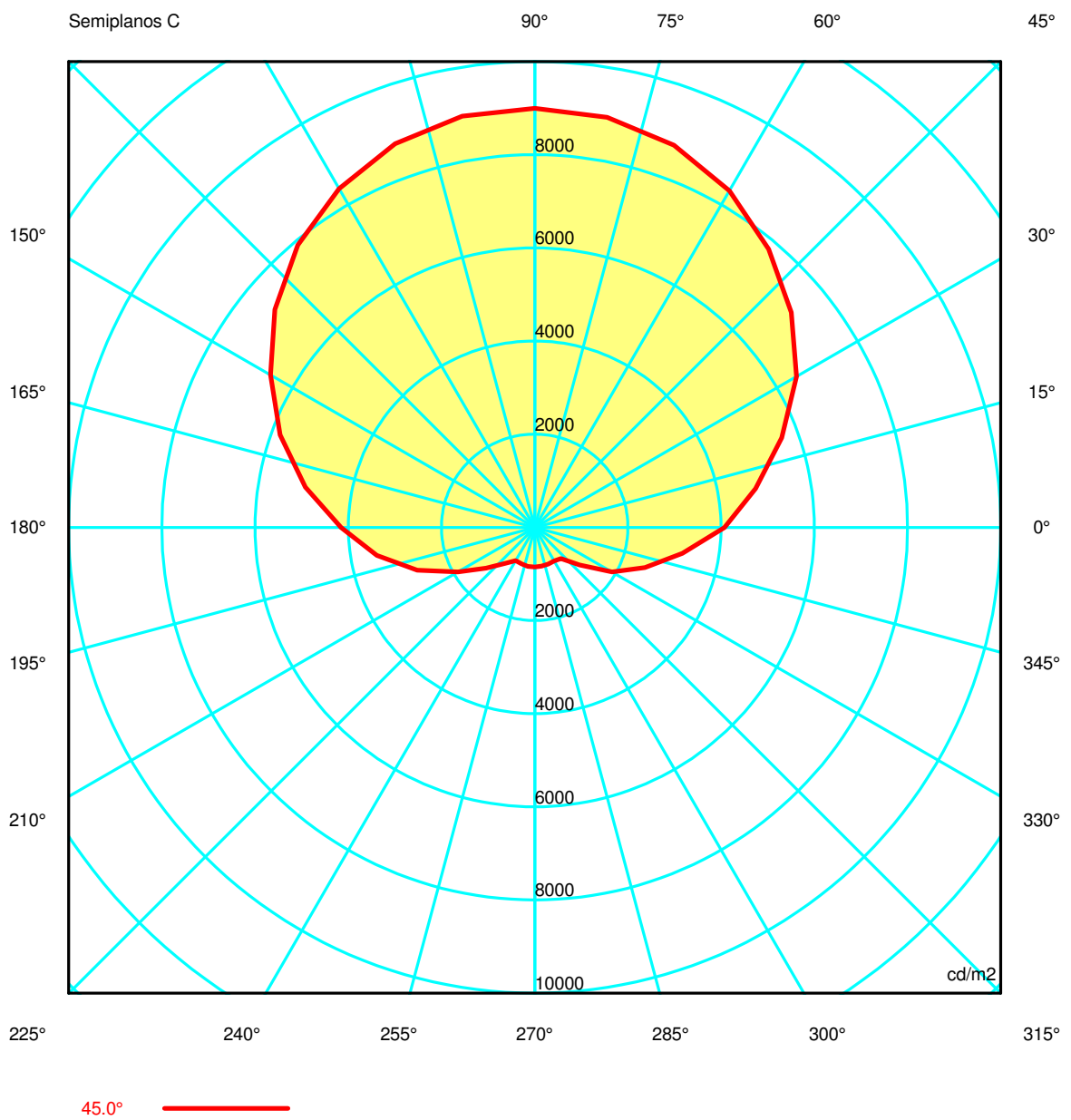
Código 05-9832-34-CM  
Nombre MICENAS

**Ensayo**

Código 05-9832-34-CM  
Nombre MICENAS

Flujo Luminaria	136.10 lm	Potencia luminaria	6.60 W	Eficacia	20.62 lm/W	Eficiencia	100.00%
Flujo de Lámpara	136.10 lm	Valor Máximo	486.99 cd/klm	Posición	C=90.00 G=42.00	CG	Asimétrico

Luminancia



**Luminaria**

Código 05-9832-34-CM

Nombre MICENAS

**Ensayo**

Código 05-9832-34-CM

Nombre MICENAS

Flujo Luminaria	136.10 lm	Potencia luminaria	6.60 W	Eficacia	20.62 lm/W	Eficiencia	100.00%
Flujo de Lámpara	136.10 lm	Valor Máximo	486.99 cd/klm	Posición	C=90.00 G=42.00	CG	Asimétrico

**Luminance cd/m2**
**Tabla 1/3**

	C 0.00	C 10.00	C 20.00	C 30.00	C 40.00	C 50.00	C 60.00	C 70.00	C 80.00	C 90.00	C 100.00	C 110.00	C 120.00
G 0.0	4365.22	4373.15	4358.13	4338.16	4371.52	4368.44	4314.98	4293.71	4342.91	4388.41	4326.37	4324.70	4382.61
G 5.0	4360.55	4432.01	4484.95	4539.98	4628.82	4666.06	4671.88	4696.45	4748.61	4798.94	4734.89	4713.28	4736.87
G 10.0	4351.13	4488.53	4614.26	4742.58	4891.59	4995.13	5041.81	5090.81	5175.18	5230.18	5163.16	5122.52	5111.47
G 15.0	4337.16	4542.32	4745.71	4953.32	5165.12	5328.85	5431.45	5513.31	5615.11	5679.52	5611.62	5547.94	5496.47
G 20.0	4318.40	4592.86	4878.52	5171.80	5449.95	5673.27	5832.93	5956.71	6075.89	6141.39	6074.12	5991.06	5898.73
G 25.0	4293.05	4643.12	5016.92	5400.69	5748.59	6035.39	6255.67	6422.37	6561.44	6630.93	6561.93	6455.66	6320.70
G 30.0	4256.22	4691.95	5161.42	5640.74	6063.47	6420.27	6707.30	6919.06	7077.96	7152.45	7084.74	6951.95	6766.43
G 35.0	4214.33	4738.94	5312.07	5897.46	6401.53	6834.93	7197.26	7461.09	7641.10	7718.60	7653.35	7494.12	7253.88
G 40.0	4155.86	4777.93	5468.18	6175.14	6770.85	7291.32	7739.11	8058.78	8264.14	8349.56	8285.16	8093.57	7792.08
G 45.0	4071.84	4810.08	5635.87	6480.79	7180.78	7801.10	8350.01	8736.77	8940.30	9000.41	8967.32	8768.45	8396.47
G 50.0	3963.71	4828.86	5808.57	6815.12	7640.88	8388.57	9008.17	9286.96	9294.74	9250.17	9332.42	9271.88	8958.56
G 55.0	3803.58	4823.21	5983.77	7191.09	8170.98	8860.70	9284.91	9473.89	9367.84	9229.32	9428.07	9413.97	9136.67
G 60.0	3598.07	4763.27	6198.08	7615.46	8411.43	8900.29	9259.90	9315.12	8988.22	8718.84	9071.36	9151.69	9004.83
G 65.0	3308.11	4655.32	6427.26	8035.94	8276.75	8466.98	8657.78	8490.43	7857.31	7430.10	8011.43	8309.33	8211.98
G 70.0	2906.85	4522.94	6476.12	7940.88	7658.58	7168.43	7141.43	6816.75	6058.28	5593.36	6243.62	6539.72	6545.37
G 75.0	2310.76	4306.99	6216.05	7077.86	5904.45	5151.60	4979.88	4636.44	4129.01	3789.04	4339.28	4538.80	4535.65
G 80.0	1496.72	3548.14	4760.28	4662.66	3494.45	2965.63	2909.99	2691.14	2322.97	2053.13	2492.51	2643.02	2615.09
G 85.0	642.97	1451.39	1862.85	1640.69	892.80	528.42	432.34	321.49	172.69	99.77	274.89	321.49	321.49
G 90.0	0.00	0.00	0.00	0.00	0.00	0.00	0.00	0.00	0.00	0.00	0.00	0.00	0.00

**Luminaria**

Código 05-9832-34-CM

Nombre MICENAS

**Ensayo**

Código 05-9832-34-CM

Nombre MICENAS

Flujo Luminaria	136.10 lm	Potencia luminaria	6.60 W	Eficacia	20.62 lm/W	Eficiencia	100.00%
Flujo de Lámpara	136.10 lm	Valor Máximo	486.99 cd/klm	Posición	C=90.00 G=42.00	CG	Asimétrico

**Luminance cd/m2 Tabla 2/3**

	C 130.00	C 140.00	C 150.00	C 160.00	C 170.00	C 180.00	C 190.00	C 200.00	C 210.00	C 220.00	C 230.00	C 240.00	C 250.00
G 0.0	4338.21	4327.66	4372.95	4353.67	4340.92	4365.22	4374.92	4358.13	4338.16	4371.65	4368.39	4314.98	4293.72
G 5.0	4658.03	4597.08	4577.81	4498.87	4418.93	4368.31	4309.66	4217.76	4131.66	4110.47	4057.20	3956.12	3901.05
G 10.0	4990.04	4865.37	4773.00	4639.17	4494.62	4365.84	4240.13	4079.03	3921.41	3842.95	3738.62	3590.78	3502.72
G 15.0	5334.31	5159.42	5001.33	4790.87	4565.20	4360.16	4168.52	3932.99	3698.99	3567.96	3412.96	3209.86	3081.44
G 20.0	5692.06	5456.29	5223.21	4941.40	4637.30	4349.25	4085.54	3775.07	3465.00	3274.25	3064.77	2812.10	2652.16
G 25.0	6069.43	5769.82	5456.12	5098.93	4711.08	4333.56	3993.62	3603.97	3213.12	2959.53	2691.80	2383.72	2186.39
G 30.0	6467.93	6100.76	5699.87	5262.59	4784.38	4309.77	3889.92	3414.71	2935.28	2618.27	2293.86	1931.19	1698.09
G 35.0	6900.65	6456.72	5959.97	5435.63	4856.88	4273.30	3766.95	3202.39	2629.09	2240.47	1855.95	1447.24	1198.06
G 40.0	7378.25	6848.12	6241.99	5617.25	4927.60	4226.49	3623.38	2959.35	2285.41	1825.84	1397.55	1003.97	858.46
G 45.0	7914.24	7284.43	6550.47	5814.91	4997.09	4155.19	3445.15	2684.21	1904.75	1363.61	1012.43	821.20	832.13
G 50.0	8499.50	7789.39	6893.28	6019.82	5057.16	4061.42	3230.82	2347.17	1477.56	984.96	876.82	871.81	877.85
G 55.0	9009.06	8400.40	7270.26	6233.43	5106.66	3918.12	2962.85	1949.47	1059.54	940.51	888.29	902.89	895.45
G 60.0	9033.17	8748.99	7698.55	6504.35	5135.93	3727.54	2601.03	1576.65	842.51	890.18	911.43	906.28	901.19
G 65.0	8764.09	8844.71	7976.50	6741.21	5157.64	3454.43	2124.90	1266.03	880.18	919.81	920.57	882.47	885.89
G 70.0	7654.72	8261.59	7726.19	6838.99	5188.27	3067.88	1579.22	941.40	875.73	914.49	901.74	850.30	841.67
G 75.0	5649.28	6521.39	6678.42	6695.58	5151.24	2534.74	1143.72	882.24	862.33	884.73	880.58	832.47	785.36
G 80.0	3438.15	3935.12	4284.30	5511.10	4534.68	1752.67	1188.85	897.31	801.22	812.30	807.97	751.14	756.14
G 85.0	1022.57	1405.75	1673.94	2765.66	2400.76	820.34	835.12	824.04	787.09	813.90	805.45	709.48	716.88
G 90.0	0.00	0.00	0.00	0.00	0.00	0.00	0.00	0.00	0.00	0.00	0.00	0.00	0.00



**Luminaria**

Código 05-9832-34-CM

Nombre MICENAS

**Ensayo**

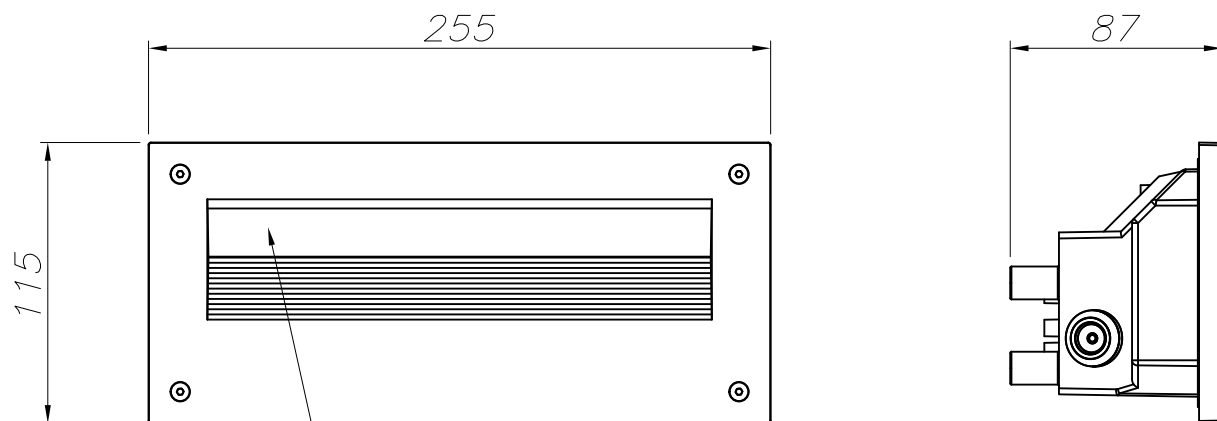
Código 05-9832-34-CM

Nombre MICENAS

Flujo Luminaria	136.10 lm	Potencia luminaria	6.60 W	Eficacia	20.62 lm/W	Eficiencia	100.00%
Flujo de Lámpara	136.10 lm	Valor Máximo	486.99 cd/klm	Posición	C=90.00 G=42.00	CG	Asimétrico

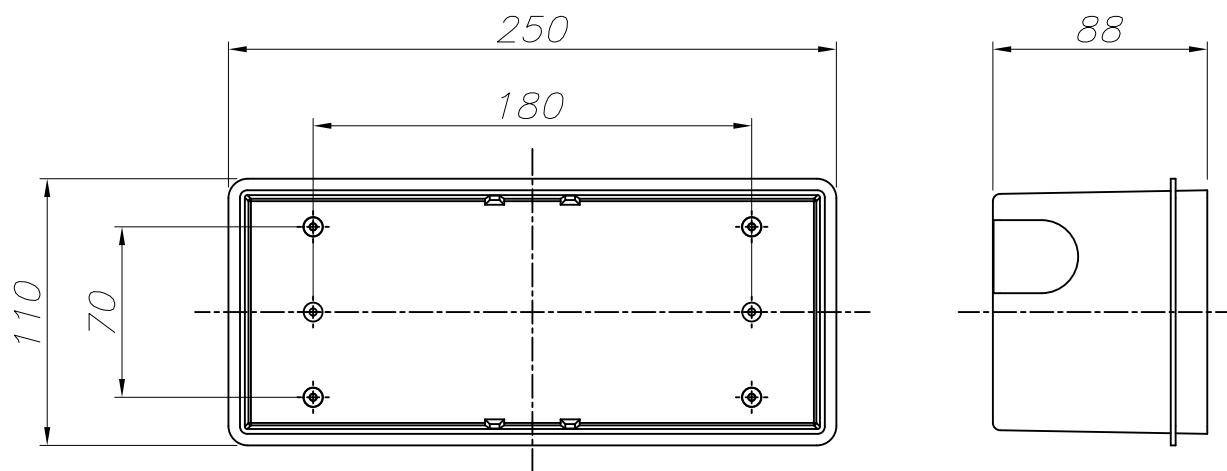
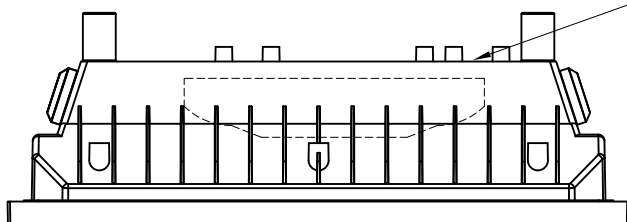
**Luminance cd/m2 Tabla 3/3**

	C 260.00	C 270.00	C 280.00	C 290.00	C 300.00	C 310.00	C 320.00	C 330.00	C 340.00	C 350.00
G 0.0	4342.90	4388.41	4326.37	4324.69	4382.61	4338.27	4327.53	4372.95	4354.37	4339.15
G 5.0	3935.41	3978.42	3916.28	3932.48	4024.98	4015.46	4055.25	4165.61	4207.57	4258.57
G 10.0	3522.20	3561.35	3496.54	3529.60	3658.48	3686.56	3775.27	3946.92	4051.40	4171.79
G 15.0	3087.41	3129.83	3065.40	3116.13	3280.88	3344.44	3487.83	3728.99	3891.40	4077.16
G 20.0	2639.10	2671.24	2632.85	2683.73	2886.13	2986.90	3183.75	3494.82	3725.15	3981.80
G 25.0	2155.99	2183.30	2149.90	2218.01	2460.48	2600.10	2854.65	3238.71	3531.96	3863.04
G 30.0	1649.86	1670.13	1640.38	1722.69	2001.48	2183.10	2498.03	2958.71	3327.38	3738.68
G 35.0	1150.40	1155.90	1137.03	1228.17	1518.01	1736.20	2112.30	2646.78	3091.22	3592.11
G 40.0	848.83	848.83	819.27	882.00	1049.37	1256.33	1693.07	2304.33	2830.04	3425.55
G 45.0	850.45	849.89	839.81	834.86	830.76	873.60	1252.05	1911.58	2516.95	3216.82
G 50.0	881.49	891.35	879.32	872.81	871.81	781.89	956.92	1482.07	2145.66	2980.86
G 55.0	906.06	918.05	900.32	899.08	907.94	873.73	850.69	1047.75	1705.66	2686.22
G 60.0	927.76	939.13	917.03	909.65	923.67	907.44	818.18	840.58	1314.00	2291.32
G 65.0	924.50	937.34	903.14	896.52	909.90	869.33	854.83	877.90	988.56	1791.93
G 70.0	878.17	901.15	853.86	841.79	864.43	845.60	849.36	875.73	864.43	1334.38
G 75.0	794.03	817.54	771.20	795.86	858.60	794.23	805.09	854.87	817.54	1142.25
G 80.0	806.01	829.04	774.59	749.84	762.27	740.02	749.29	790.09	756.71	908.41
G 85.0	737.05	742.74	707.02	708.73	731.66	693.64	710.41	753.83	675.35	616.38
G 90.0	0.00	0.00	0.00	0.00	0.00	0.00	0.00	0.00	0.00	0.00



CRISTAL MATE  
MATT GLASS

ALUMINIO INYECTADO  
INJECTED ALUMINUM



CAJA DE EMPOTRAR  
FLUSH FITTING BOX

