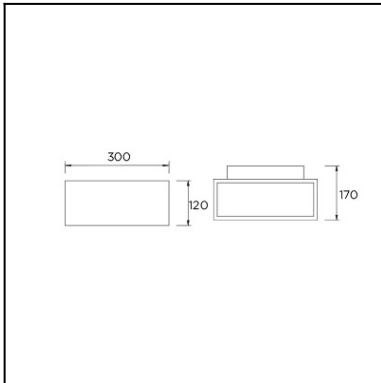


The photograph may not match the reference exactly. Please read the product description to identify the finish.



TECHNICAL CHARACTERISTICS

Type:	Wall fixture
IP Protection degrees:	IP65
IK Protection degrees:	IK04
Light source 1:	36 x LED 39W Warm White - 3000K 4198 lm ^(N)
Total power consumption (W):	43.3W
Voltage / Frequency:	100-240V/50-60Hz
Warranty (Years):	2
Option to extend the guarantee (Years):	5
Units per box:	2
Net Weight (Kg):	2.47
EAN:	8435381439309



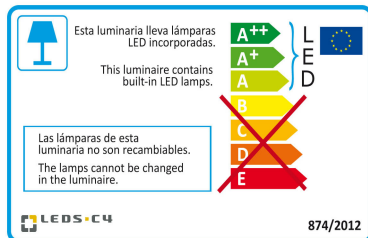
MATERIALS / FINISHES

Structure material:	High purity aluminium	Diffuser material:	Glass
Structure finish:	White	Diffuser finish:	Partly-sandblasted

GEAR

Multi-voltage electronic gear included (100-240V / 50-60Hz)

[Download photometric file .ldt / .ies](#)



[Click on image to download energy label](#)

Lm^(N): Nominal flow of light in actual working conditions. Its actual flow will depend on the environmental conditions and the efficiency of the optics and/or diffuser.

LEDS-C4 reserves the right to make the necessary technical changes they deem adequate, in order to improve the features of the product.

Please consult the sales team to clarify any doubt.

Luminaire

Code 05-9878-Z5-CL
 Name Aplique AFRODITA 39W 3000K

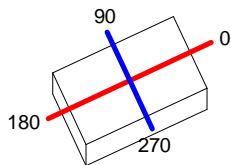
Measur.

Code 05-9878-Z5-CL
 Name Aplique AFRODITA 39W 3000K

Luminaire Flux	3287.90 lm	Luminaire Power	41.00 W	Efficacy	80.19 lm/W	Efficiency	100.00%
Lamps Flux	3287.91 lm	Maximum value	775.55 cd	Position	C=0.00 G=0.00	CG	Asymmetrical
Rectangular Luminaire Rectangular Luminous Area	Length Length	178 mm 65 mm	Width Width	300 mm 265 mm	Height Height	120 mm 120 mm	
Horizontal Luminous Area Emitting area on Plane 0° Emitting area on Plane 90°	0.017225 m2 0.007800 m2 0.031800 m2		Emitting area on Plane 180° Emitting area on Plane 270° Glare area at 76°	0.007800 m2 0.031800 m2 0.011735 m2			
Coordinate system Date Measurement Distance	CG 04-04-2016 6.44		Symmetry Type Maximum Gamma Angle Measurement Flux	Asymmetrical 180 3287.91 lm			
Operator Temperature Humidity Notes	Asselum T2 24.00 °C 49.00 %		Source voltage Source current Photocell	230.00 V Prc			

Line		Code		Luminaire Lamps		Flux [lm]	Pow. [W]	Q.ty
- LEDS C4 LEDS		05-9878-Z5-CL		Name Lámpara leds 39W 3000K		3287.91	41.00	1
C.I.E.	58 86 97 50 100			D DIN 5040		C41		
F UTE	0.50 D + 0.50 T			B NBN		BZ 3		

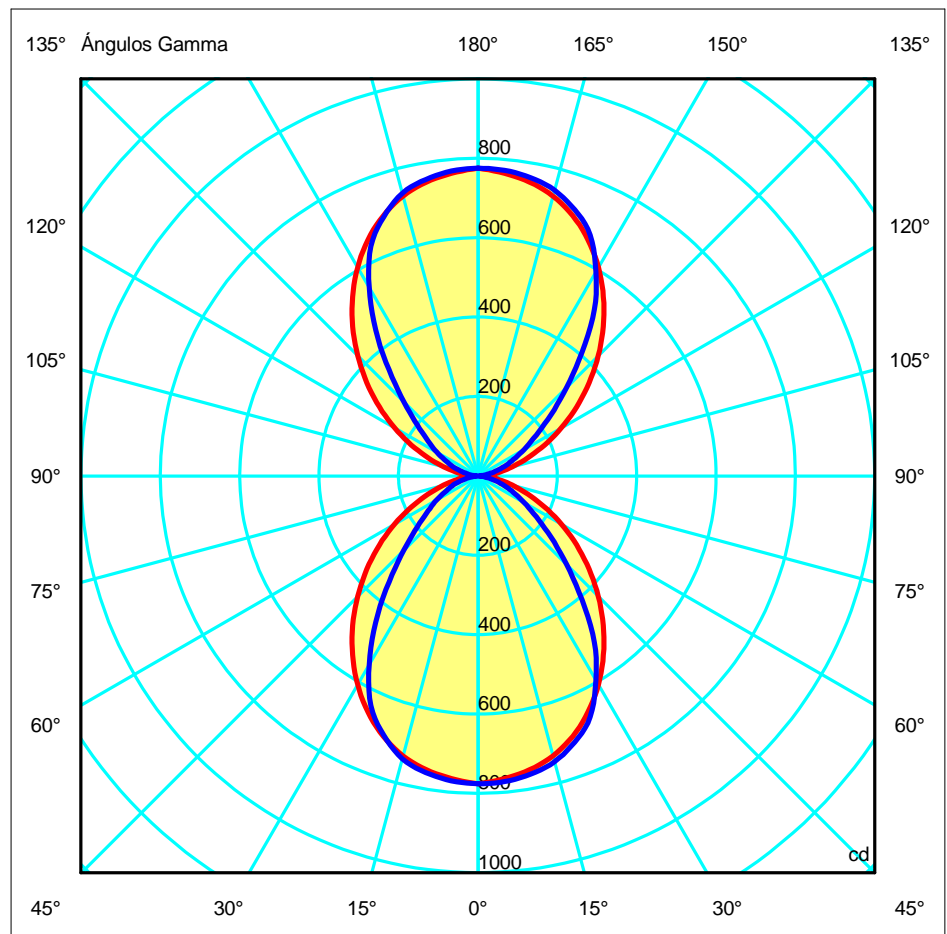
178mm x 300mm

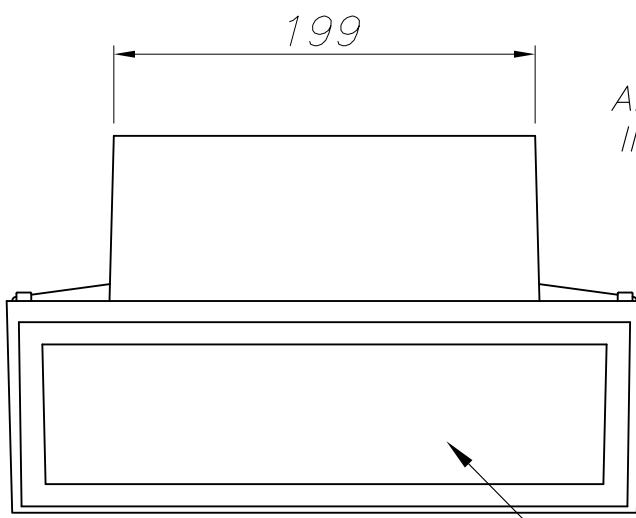
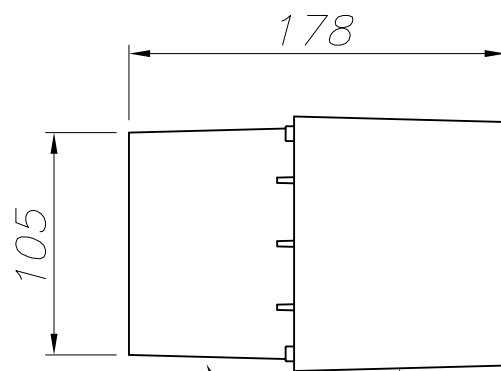
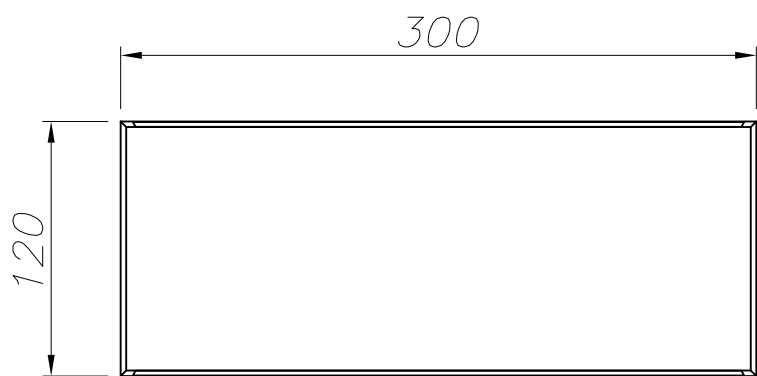


Semiplanos C

180.0 — 0.0
 270.0 — 90.0

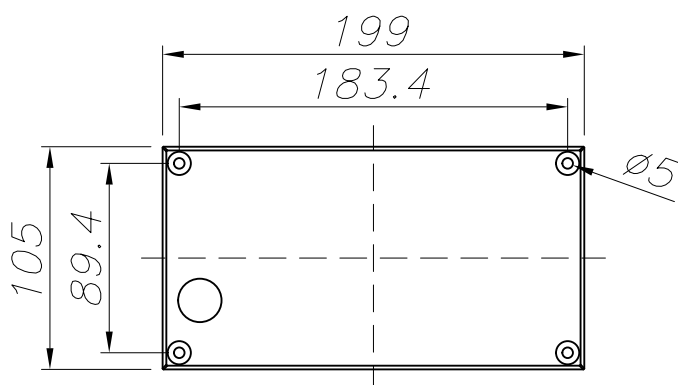
ULOR 50.00 %
 DLOR 50.00 %
 RN 50.00 %





ALUMINIO INYECTADO
INJECTED ALUMINUM

CRISTAL ARENADO INTERIOR
GLASS SANDFROSTED INSIDE



PLANTILLA DE INSTALACIÓN
INSTALLATION TEMPLATE

