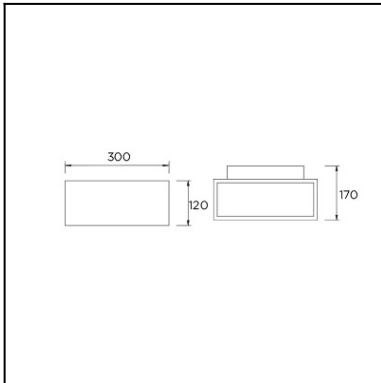


The photograph may not match the reference exactly. Please read the product description to identify the finish.



### TECHNICAL CHARACTERISTICS

Type:	Wall fixture
IP Protection degrees:	IP65
IK Protection degrees:	IK04
Light source 1:	20 x LED 19W Warm White - 3000K 2120 lm <sup>(N)</sup>
Total power consumption (W):	20.8W
Voltage / Frequency:	100-240V/50-60Hz
Warranty (Years):	2
Option to extend the guarantee (Years):	5
Units per box:	2
Net Weight (Kg):	2.265
EAN:	8435381439323



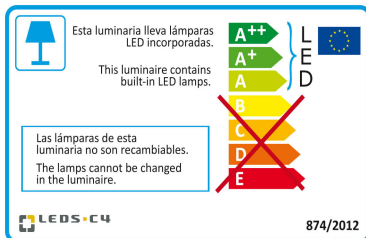
### MATERIALS / FINISHES

<b>Structure material:</b>	High purity aluminium	<b>Diffuser material:</b>	Glass
<b>Structure finish:</b>	White	<b>Diffuser finish:</b>	Partly-sandblasted

### GEAR

Multi-voltage electronic gear included (100-240V / 50-60Hz)

[Download photometric file .ldt / .ies](#)



[Click on image to download energy label](#)

Lm<sup>(N)</sup>: Nominal flow of light in actual working conditions. Its actual flow will depend on the environmental conditions and the efficiency of the optics and/or diffuser.

LEDS-C4 reserves the right to make the necessary technical changes they deem adequate, in order to improve the features of the product.

Please consult the sales team to clarify any doubt.

**Luminaire**

Code 05-9879-Z5-CL  
 Name Aplique AFRODITA 20 leds 19W

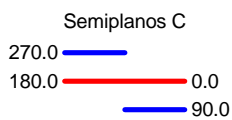
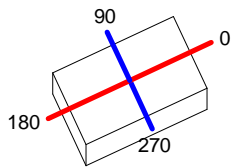
**Measur.**

Code 05-9879-Z5-CL  
 Name Aplique AFRODITA 20 leds 19W

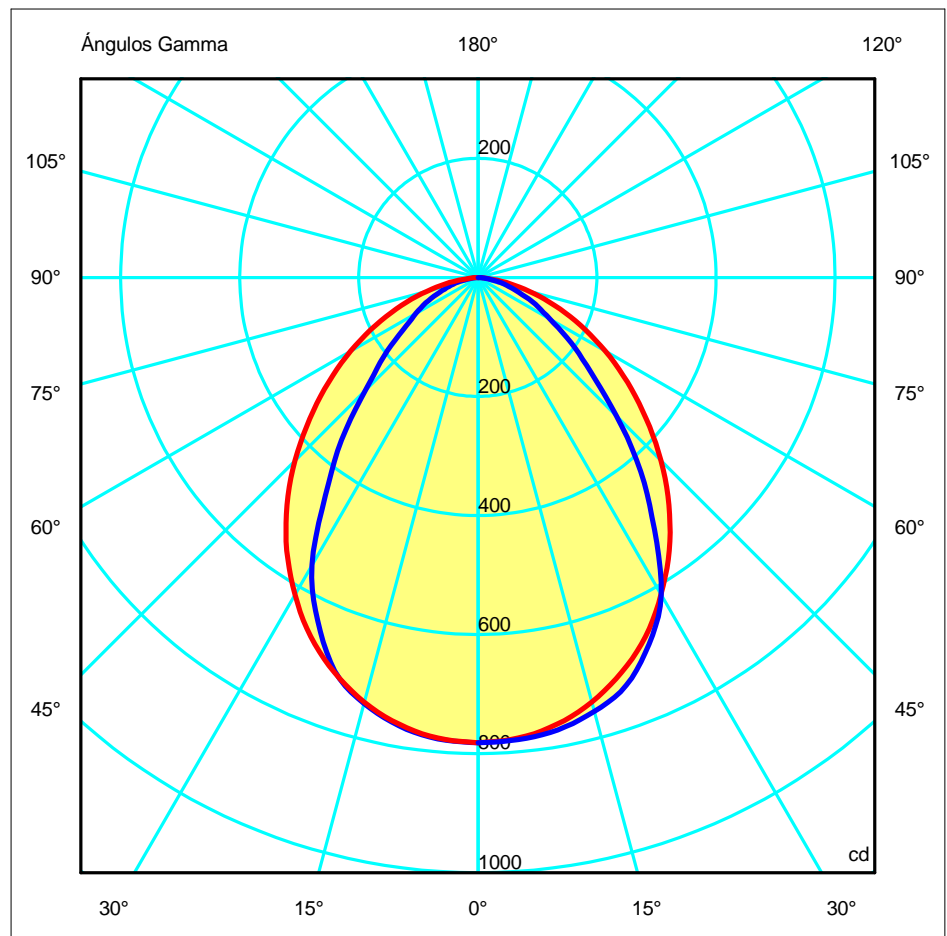
Luminaire Flux	1670.35 lm	Luminaire Power	20.00 W	Efficacy	83.52 lm/W	Efficiency	100.00%
Lamps Flux	1670.35 lm	Maximum value	781.26 cd	Position	C=0.00 G=0.00	CG Sym. on planes	270-90
Rectangular Luminaire Rectangular Luminous Area	Length Length	178 mm 65 mm	Width Width	300 mm 265 mm	Height Height	120 mm 0 mm	
Horizontal Luminous Area Emitting area on Plane 0° Emitting area on Plane 90°	0.017225 m2 0.000000 m2 0.000000 m2	Emitting area on Plane 180° Emitting area on Plane 270° Glare area at 76°	0.000000 m2 0.000000 m2 0.004167 m2				
Coordinate system Date Measurement Distance	CG 04-04-2016 6.44	Symmetry Type Maximum Gamma Angle Measurement Flux	Sym. on planes 270-90 90 1670.35 lm				
Operator Temperature Humidity Notes	Asselum T2 24.00 °C 52.00 %	Source voltage Source current Photocell	230.00 V Prc				

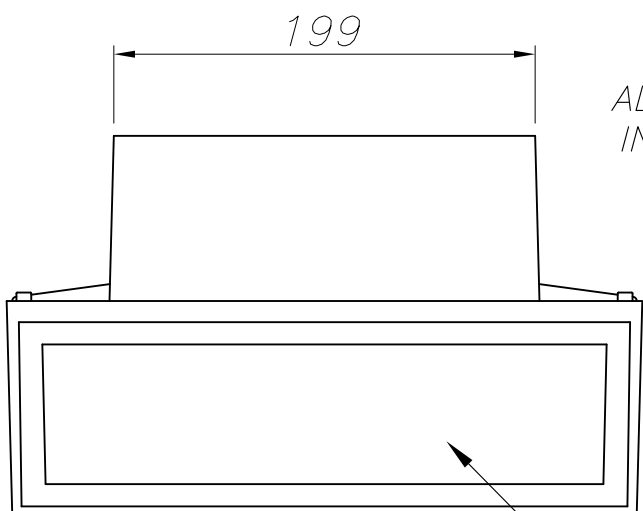
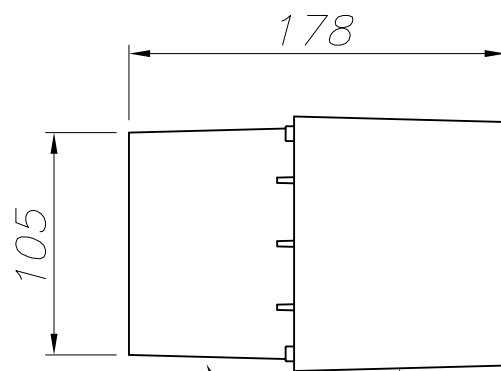
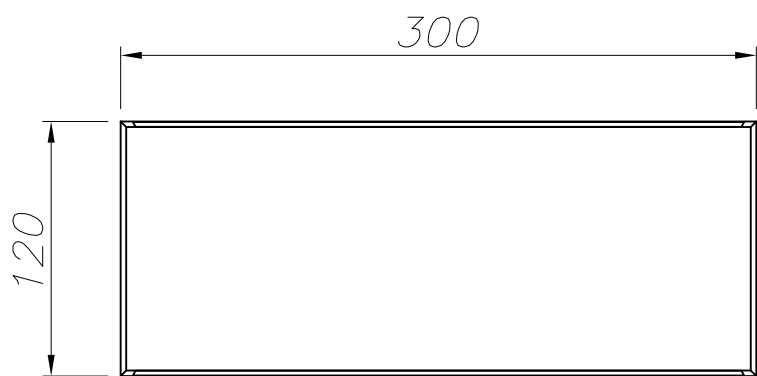
Line		Code		Luminaire Lamps		Flux [lm]	Pow. [W]	Q.ty
- LEDS C4 LEDS		05-9879-Z5-CL		Lámpara 20 leds 19W		1670.35	20.00	1
C.I.E.	58 86 98 100 100			D DIN 5040		A40		
F UTE	1.00 D			B NBN		BZ 3		

178mm x 300mm



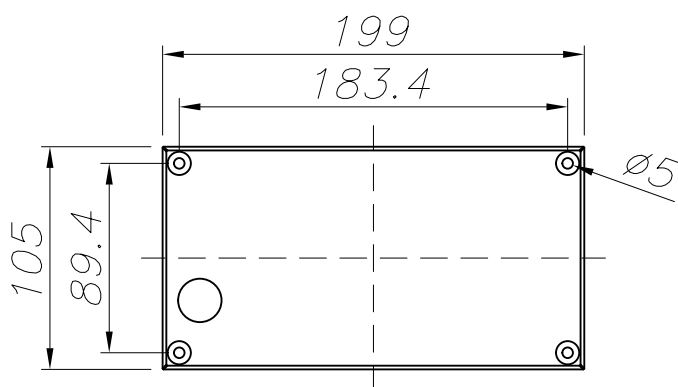
ULOR 0.00 %  
 DLOR 100.00 %  
 RN 0.00 %





ALUMINIO INYECTADO  
INJECTED ALUMINUM

CRISTAL ARENADO INTERIOR  
GLASS SANDFROSTED INSIDE



PLANTILLA DE INSTALACIÓN  
INSTALLATION TEMPLATE

