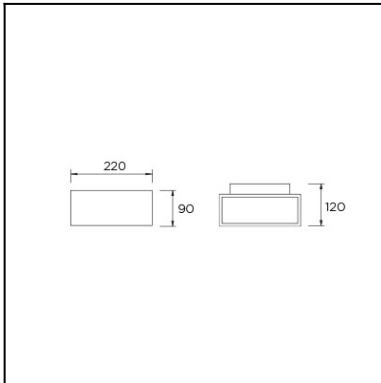




The photograph may not match the reference exactly. Please read the product description to identify the finish.



### TECHNICAL CHARACTERISTICS

Type:	Wall fixture
IP Protection degrees:	IP65
IK Protection degrees:	IK04
Light source 1:	18 x LED 17.5W Warm White - 3000K 1908 lm <sup>(N)</sup>
Total power consumption (W):	17.9W
Voltage / Frequency:	100-240V/50-60Hz
Warranty (Years):	2
Option to extend the guarantee (Years):	5
Units per box:	4
Net Weight (Kg):	1.475
EAN:	8435381439262



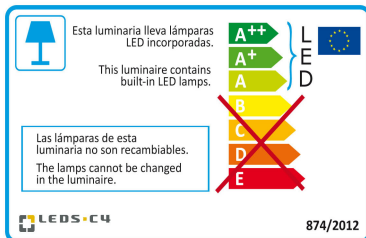
### MATERIALS / FINISHES

<b>Structure material:</b>	High purity aluminium	<b>Diffuser material:</b>	Glass
<b>Structure finish:</b>	White	<b>Diffuser finish:</b>	Partly-sandblasted

### GEAR

Multi-voltage electronic gear included (100-240V / 50-60Hz)

[Download photometric file .ldt / .ies](#)



Click on image to download energy label

Lm<sup>(N)</sup>: Nominal flow of light in actual working conditions. Its actual flow will depend on the environmental conditions and the efficiency of the optics and/or diffuser.

LEDS-C4 reserves the right to make the necessary technical changes they deem adequate, in order to improve the features of the product.

Please consult the sales team to clarify any doubt.

**Luminaire**

Code 05-9911-Z5-CL  
 Name Aplique AFRODITA 17.5W 3000K

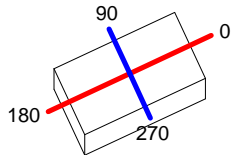
**Measurment.**

Code 05-9878-Z5-CL  
 Name Aplique AFRODITA 39W 3000K

Luminaire Flux	1494.40 lm	Luminaire Power	17.00 W	Efficacy	87.91 lm/W	Efficiency	100.00%
Lamps Flux	1494.40 lm	Maximum value	352.50 cd	Position	C=0.00 G=0.00	CG	Asymmetrical
Rectangular Luminaire		Length	120 mm	Width	220 mm	Height	90 mm
Rectangular Luminous Area		Length	45 mm	Width	185 mm	Height	90 mm
Horizontal Luminous Area		0.008325 m2		Emitting area on Plane 180°		0.004050 m2	
Emitting area on Plane 0°		0.004050 m2		Emitting area on Plane 270°		0.016650 m2	
Emitting area on Plane 90°		0.016650 m2		Glare area at 76°		0.005944 m2	
Coordinate system		CG		Symmetry Type		Asymmetrical	
Date		04-04-2016		Maximum Gamma Angle		180	
Measurement Distance		6.44		Measurement Flux		3287.91 lm	
Operator		Asselum T2		Source voltage		230.00 V	
Temperature		24.00 °C		Source current			
Humidity		49.00 %		Photocell		Prc	
Notes							

Line		Code		Luminaire Lamps		Flux [lm]	Pow. [W]	Q.ty
- LEDS C4 LEDS		05-9911-Z5-CL		Name Lámpara leds 17.5W 3000K		1494.40	17.00	1
C.I.E.	58 86 97 50 100			D DIN 5040		C41		
F UTE	0.50 D + 0.50 T			B NBN		BZ 3		

120mm x 220mm



Semiplanos C

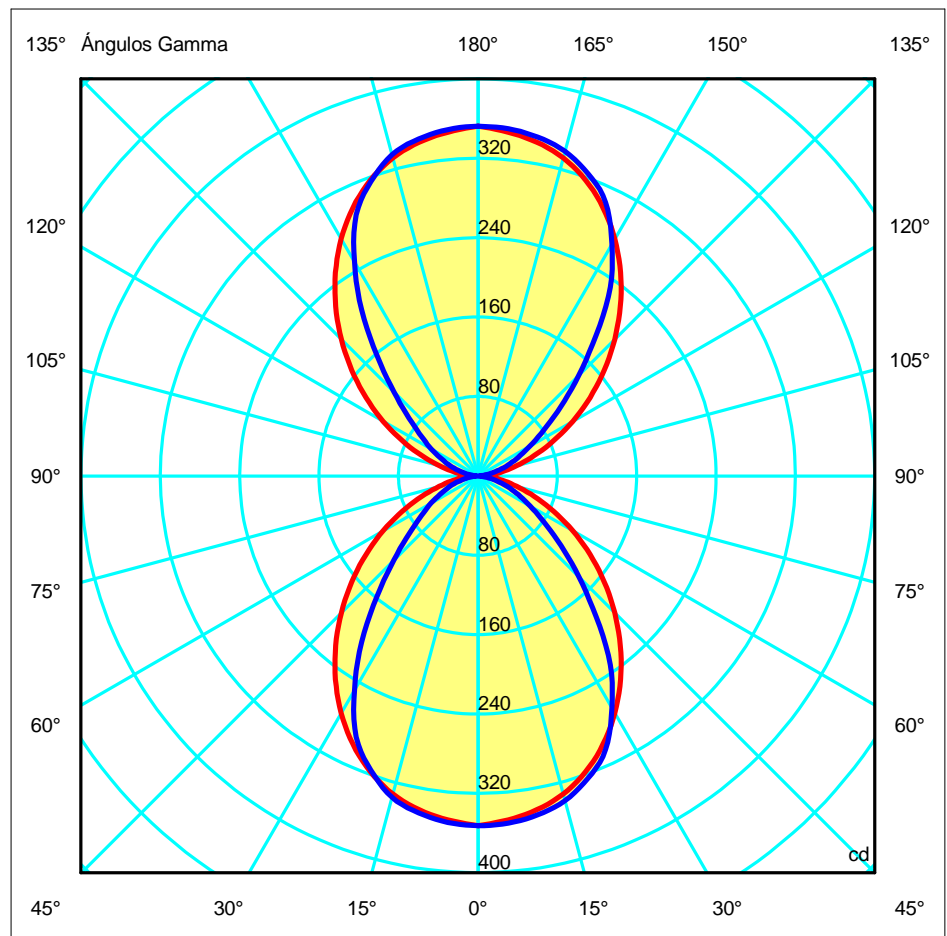
180.0 — 0.0

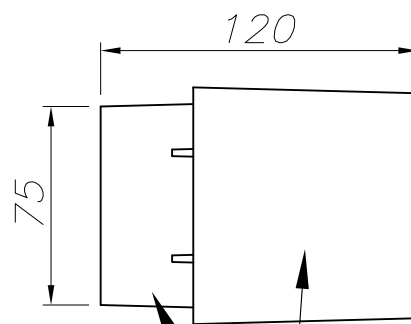
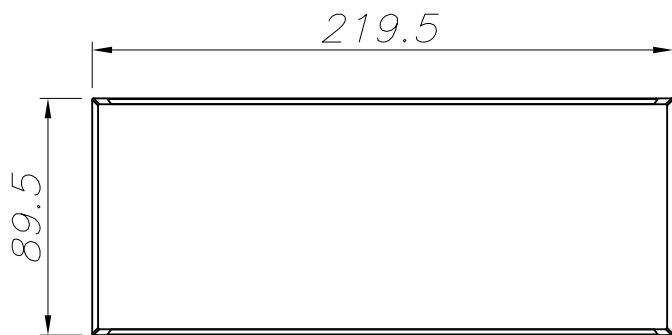
270.0 — 90.0

ULOR 50.00 %

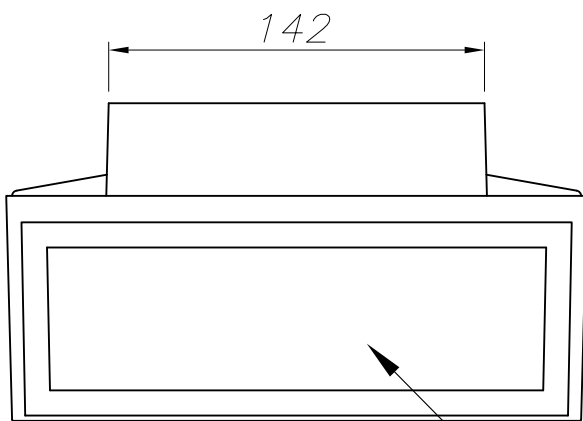
DLOR 50.00 %

RN 50.00 %

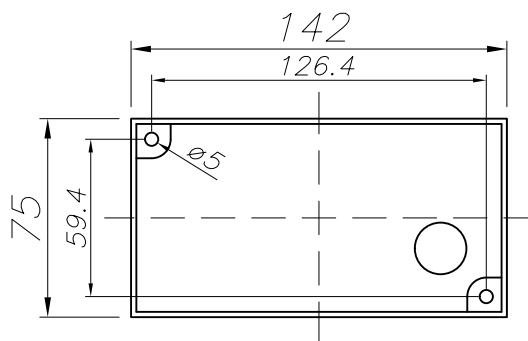




ALUMINIO INYECTADO  
INJECTED ALUMINUM



CRISTAL ARENADO INTERIOR  
GLASS SANDFROSTED INSIDE



PLANTILLA DE INSTALACIÓN  
INSTALLATION TEMPLATE

