

### CUBE Spotlight



#### Description

LED Spotlight

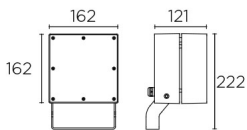
For downlighting.. Structure with double body design to prevent heat generated by the LED affecting the useful life of the driver. Suitable for installation in marine environments. Includes 2 cable outlets to facilitate chain mounting. Adjustable light source. Structure material: High purity aluminium. Structure finish: Urban grey. Diffuser material: Polycarbonate. Diffuser finish: Transparent. UV protection. Warranty: 5 Years.

#### Finish

Urban grey  
Transparent

#### Material

High purity aluminium  
Polycarbonate



#### TECHNICAL CHARACTERISTICS

##### Light source

Light source: LED CREE  
Output (W): 54W  
Total power consumption (W): 60.5 W  
Color temperature: Warm White - 3000K  
CRI: 80  
Real Lumen: 5015  
Nominal Lumen: 6339  
Qty Leds: 16  
Lm/Real W: 83  
Life Time: 45,000h L80B20  
Bin / Grup: 7C1 o 7B4  
MacAdam steps: 3  
UGR: 14  
Photobiological risk: RG2

##### GEAR

Brand: HEP  
Gear included: Yes, electronic  
Voltage / Frequency:  
100-240VAC/50-60Hz  
Power Factor: 0.90  
Dimming protocol: 1..10V  
Flickering: 14.4%

##### Luminaire

Double cable exit: Yes  
Drainage: No  
Seaside: Yes  
Uv Protection: Yes  
Warranty: 5 Years

##### Logistics

Energy Efficiency: LED A++  
EAN Code: 8435526800704  
Net Weight (Kg): 2.318  
Weight in Kg (packaged): 2.650  
Packing: 235 x 170 x 180  
Masterbox: 4

The photograph may not match the reference exactly. Please read the product description to identify the finish.

## OPTIONAL ACCESSORIES

---



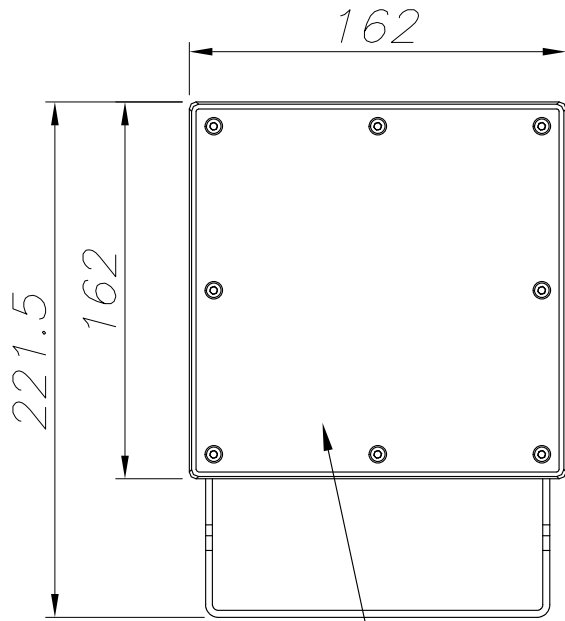
**71-9487-Z5-Z5V1**

Structure material: Galvanized steel  
Net Weight (Kg): 0.790

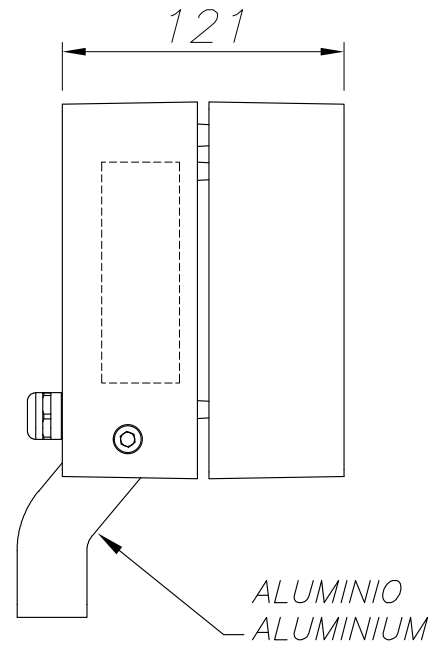


**71-9943-Z5-Z5**

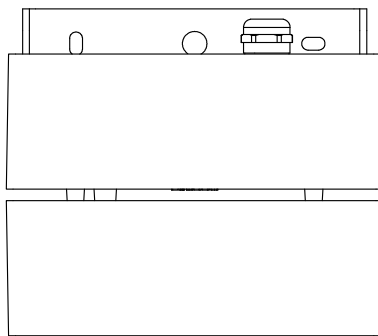
Structure material: Aluminium  
Net Weight (Kg): 0.120



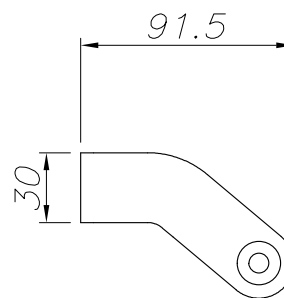
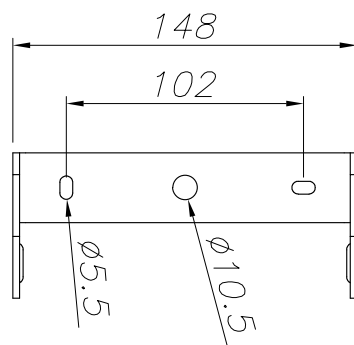
PC TRANSPARENTE  
TRANSPARENT PC



ALUMINIO  
ALUMINIUM



ALUMINIO INYECTADO  
INJECTED ALUMINIUM



PLANTILLA DE INSTALACIÓN  
INSTALLATION TEMPLATE

