

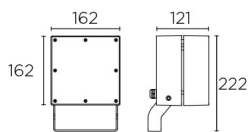
### CUBE Spotlight



#### Description



Spotlight LED for outdoor use.

With adjustable lighting positioning. Includes 2 cable outlets to facilitate chain mounting. Adjustable light source. Structure material: High purity aluminium. Structure finish: Urban grey. Diffuser material: Polycarbonate. Diffuser finish: Transparent. UV protection. Warranty: 2 Years. Total years including extended warranty: 3.



**Finish**  
Urban grey  
Transparent

**Material**  
High purity aluminium  
Polycarbonate

 IP65 IK10
  29°
  ±90°
  4

#### TECHNICAL CHARACTERISTICS

##### Light source

Light source: LED CREE  
 Output (W): 54W  
 Color temperature: Warm White - 3000K  
 CRI: 80  
 Real Lumen: 4956  
 Nominal Lumen: 6339  
 Qty Leds: 16  
 Lm/Real W: 92  
 Life Time: 51.000h L90B10  
 Bin / Grup: 7C1 o 7B4  
 MacAdam steps: 3 STEPS  
 UGR: 14.3  
 Photobiological risk: RG2

##### GEAR

Brand: HEP  
 Gear included: Yes, electronic  
 Voltage / Frequency:  
 100-240VAC/50-60Hz  
 Power Factor: 0.90

##### Luminaire

Double cable exit: Yes  
 Drainage: No  
 Uv Protection: Yes  
 Warranty: 2 Years

##### Logistics

Energy Efficiency: LED A++  
 EAN Code: 8435381455682  
 Net Weight (Kg): 2.318  
 Weight in Kg (packaged): 2.650  
 Packing: 235 x 170 x 180  
 Masterbox: 4

The photograph may not match the reference exactly. Please read the product description to identify the finish.

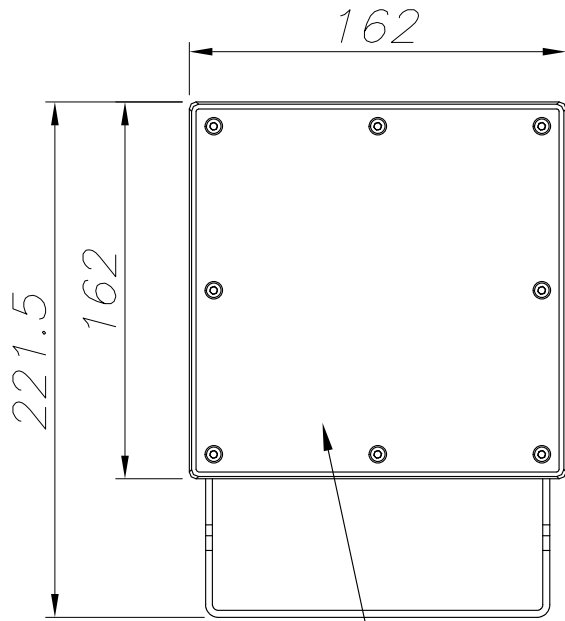
## OPTIONAL ACCESSORIES

---

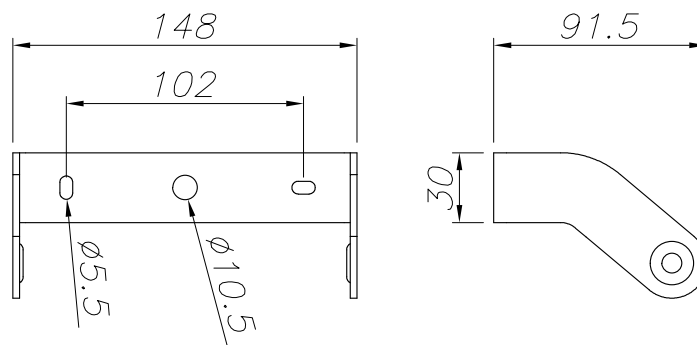
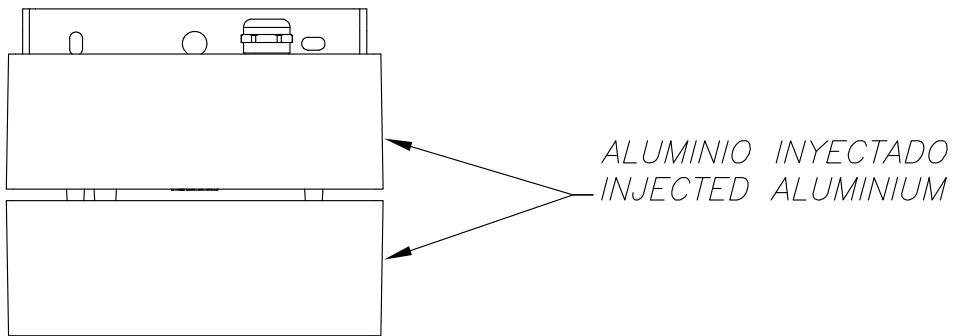
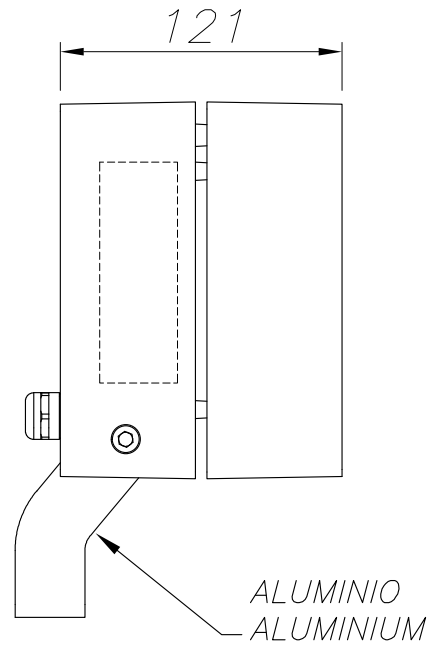


**71-9943-Z5-Z5**

Structure material: Aluminium  
Net Weight (Kg): 0.120



PC TRANSPARENTE  
TRANSPARENT PC



PLANTILLA DE INSTALACIÓN  
INSTALLATION TEMPLATE

