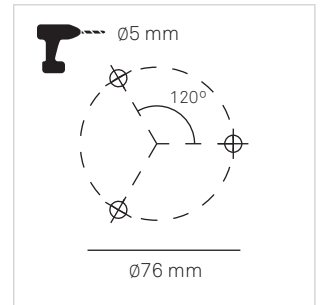
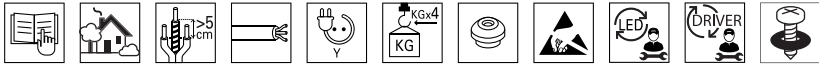




MOAL

WALL FIXTURE

LEDS C4



1

2

$\varnothing_{\text{min}} = 5 \text{ mm}$
 $\varnothing_{\text{max}} = 10 \text{ mm}$

3

4

5

MULTIPLE

Min. 155mm

1

2

3

