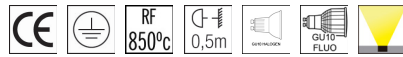
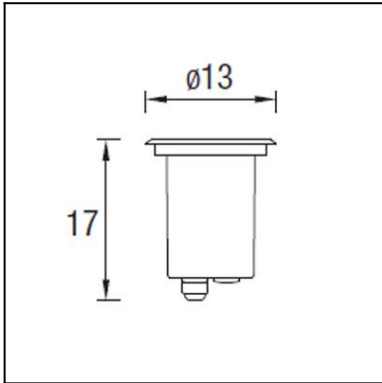




TECHNICAL CHARACTERISTICS

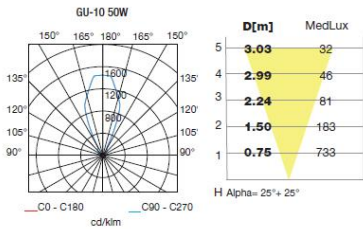
Type:	UPLIGHT RECESSED
IP Protection degrees:	IP67
IK Protection degrees:	IK10
Light source 1:	1 x GU10 MAX 50W Maximum lamp length: 82.00 mm
Voltage / Frequency:	230V/50-60Hz
Warranty (Years):	2
Units per box:	8
Net Weight (Kg):	0.63
EAN:	8435111089156

The photograph may not match the reference exactly. Please read the product description to identify the finish.

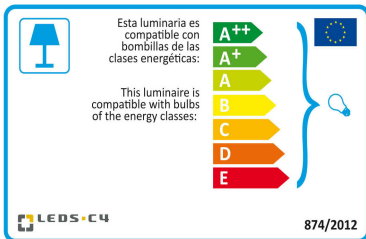


MATERIALS / FINISHES

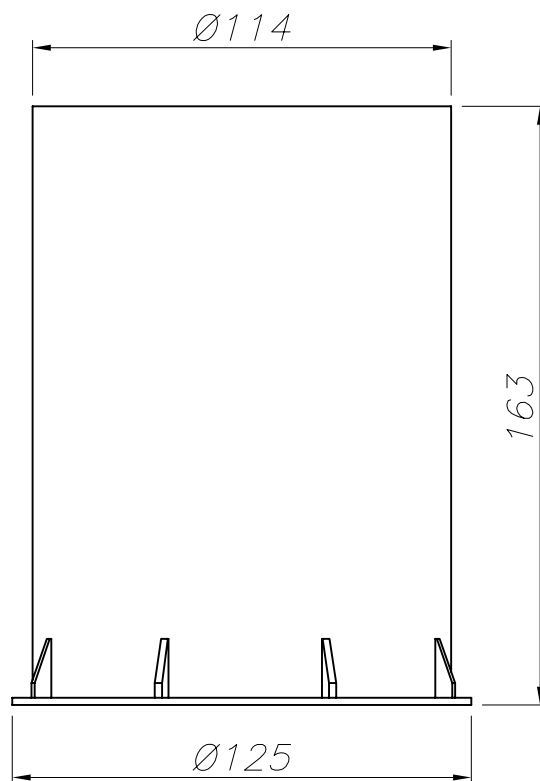
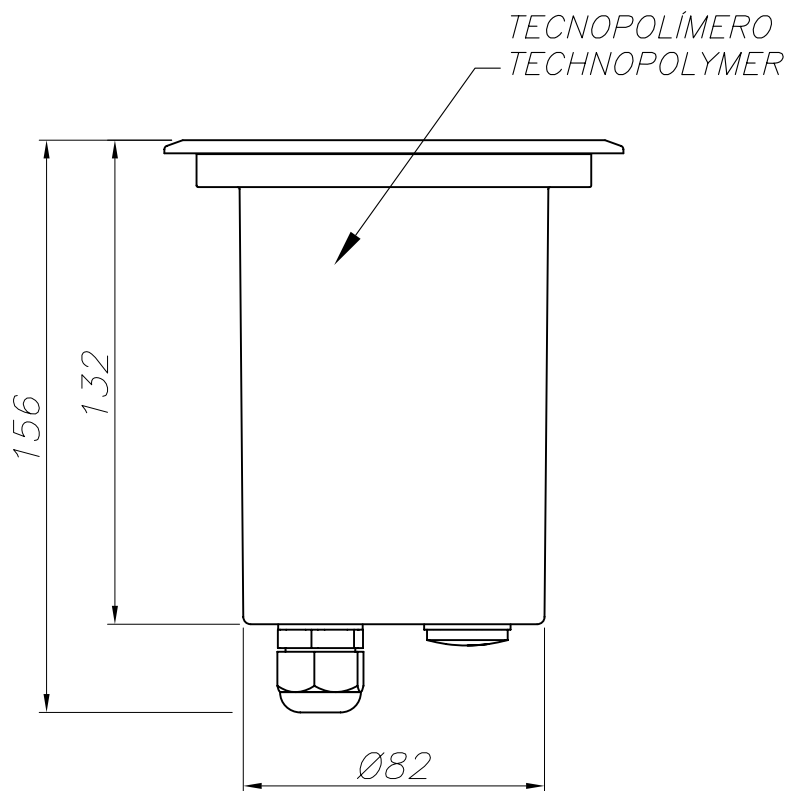
Structure material:	Stainless steel AISI316 Technopolymer	Diffuser material:	Glass
Structure finish:	Polished	Diffuser finish:	Tempered



Download photometric file .ldt / .ies



Click on image to download energy label



CAJA DE EMPOTRAR
FLUSH FITTING BOX

