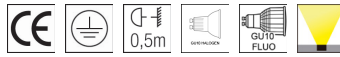
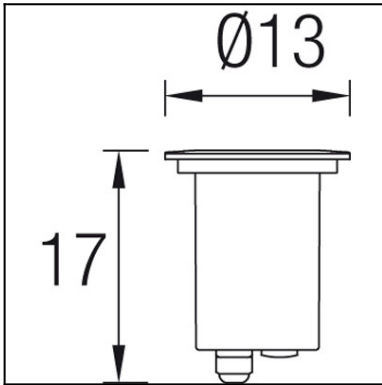




**TECHNICAL CHARACTERISTICS**

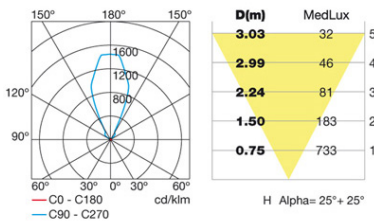
|  |   |
|--|---|
| Type:  | UPLIGHT RECESSED                                      |
| IP Protection degrees:                               | IP67  |
| IK Protection degrees:                               | IK08  |
| Recessed in-ground suitable for pedestrian crossing: | Si  |
| Light source 1:                                      | 1 x GU10<br>max. 50W<br>Maximum lamp length: 80.00 mm |
| Voltage / Frequency:                                 | 220-240V/50-60Hz                                      |
| Warranty (Years):                                    | 2   |
| Units per box:                                       | 12  |
| Net Weight (Kg):                                     | 0.69  |
| EAN:   | 8435111088777   |

The photograph may not match the reference exactly. Please read the product description to identify the finish.

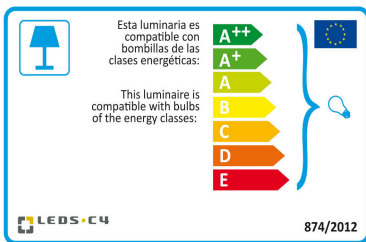


**MATERIALS / FINISHES**

|                            |               |                           |          |
|----------------------------|---------------|---------------------------|----------|
| <b>Structure material:</b> | Technopolymer | <b>Diffuser material:</b> | Glass    |
| <b>Structure finish:</b>   | Urban grey    | <b>Diffuser finish:</b>   | Tempered |



Download photometric file .ldt / .ies

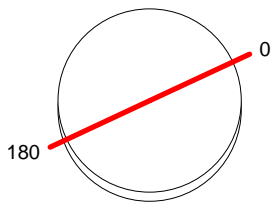


Click on image to download energy label

|                            |                                    |                             |                                    |                 |                |
|----------------------------|------------------------------------|-----------------------------|------------------------------------|-----------------|----------------|
| <b>Luminaire</b>           |                                    | <b>Measur.</b>              |                                    | <b>Lamp</b>     |                |
| Code                       | 55-9567-Z5-37                      | Code                        | 55-9567-Z5-37                      | Code            | HALOPAR 16 50W |
| Name                       | HALOPAR 16 50W Aluminium-Reflektor | Name                        | HALOPAR 16 50W Aluminium-Reflektor | Number          | 1              |
| Line                       | Eulumdat                           | Date                        | 27-01-2000                         | Position        |                |
| Efficiency                 | 100.04%                            | Coordinate system           | CG                                 | Total Flux      | 525.00 lm      |
| Maximum value              | 1202.78 cd                         | Position                    | C=0.00 G=1.00                      | Rotosymmetrical |                |
| Round Luminaire            | Diam.                              | 51 mm                       | Height                             | 53 mm           |                |
| Round Luminous Area        | Diam.                              | 51 mm                       | Height                             | 0 mm            |                |
| Horizontal Luminous Area   | 0.002043 m2                        | Emitting area on Plane 180° | 0.000000 m2                        |                 |                |
| Emitting area on Plane 0°  | 0.000000 m2                        | Emitting area on Plane 270° | 0.000000 m2                        |                 |                |
| Emitting area on Plane 90° | 0.000000 m2                        | Glare area at 76°           | 0.000494 m2                        |                 |                |
| Symmetry Type              | Rotosymmetrical                    | Maximum Gamma Angle         | 180                                |                 |                |
| Measurement Distance       | 0.00                               | Measurement Flux            | 525.00 lm                          |                 |                |
| Operator                   |                                    | Source voltage              |                                    |                 |                |
| Temperature                | 25.00 °C                           | Source current              |                                    |                 |                |
| Humidity                   | 60.00 %                            | Photocell                   |                                    |                 |                |
| Notes                      |                                    |                             |                                    |                 |                |

| Luminaire Lamps |                  |                          |           |          |      |  |
|-----------------|------------------|--------------------------|-----------|----------|------|--|
| Line            | Code             | Name                     | Flux [lm] | Pow. [W] | Q.ty |  |
| Eulumdat        | HALOPAR 16 50W   | HALOPAR 16 50W - 50.00 W | 525.00    | 50.00    | 1    |  |
| C.I.E.          | 82 94 97 100 100 | D DIN 5040               | A60       |          |      |  |
| F UTE           | 1.00 B           | B NBN                    | BZ 1      |          |      |  |

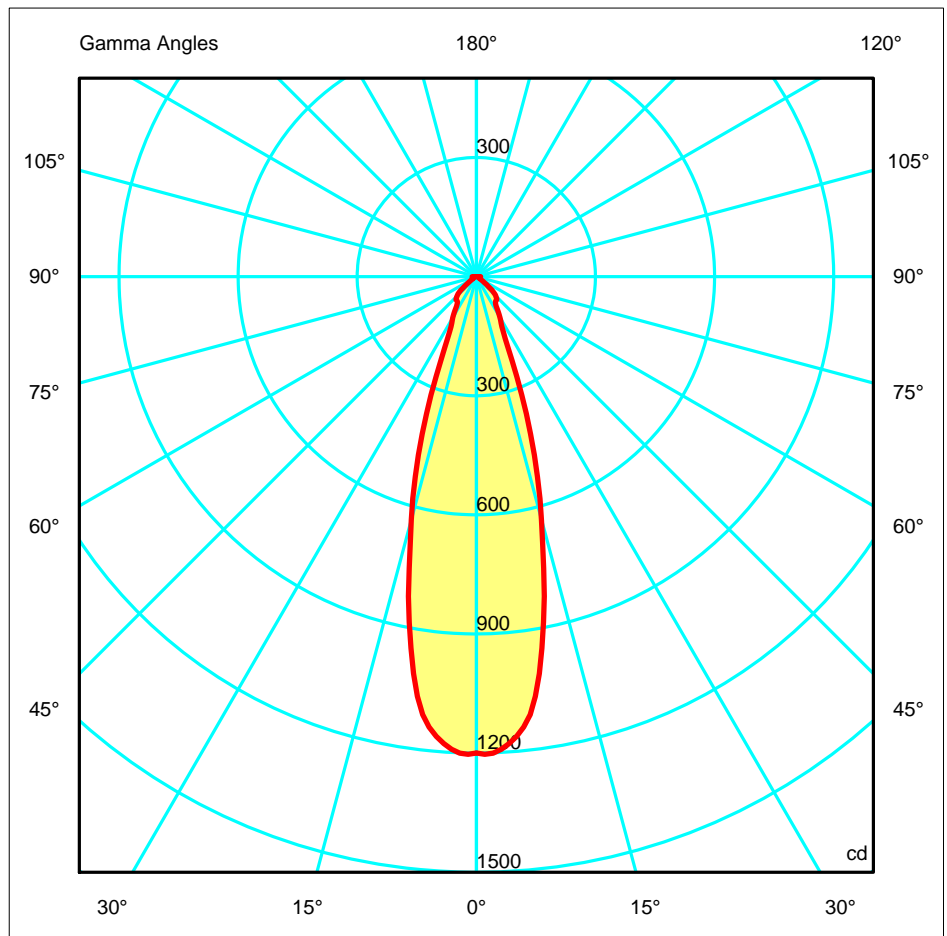
Diam=51mm

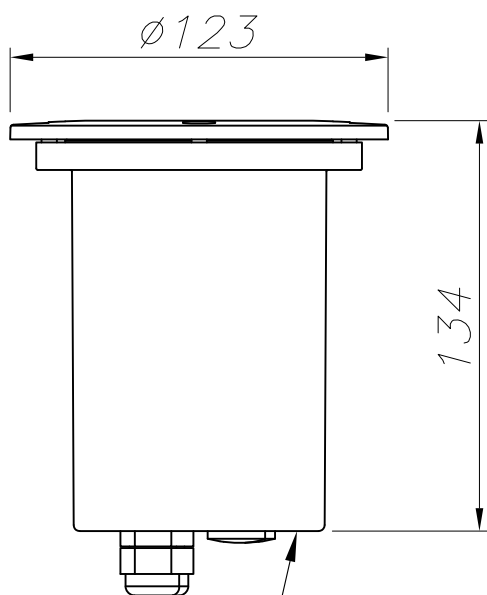


C Halfplanes

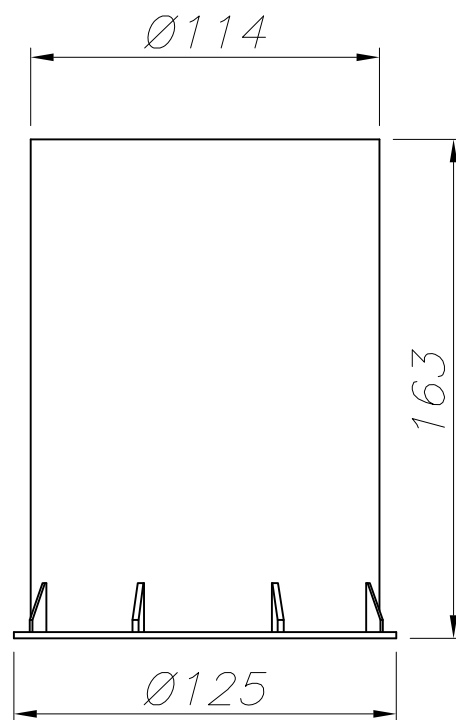
180.0 — 0.0

ULOR 0.11 %  
DLOR 99.93 %  
RN 0.11 %

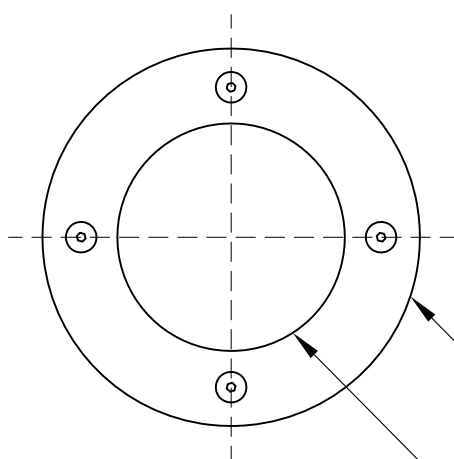




PP REFORZADO CON  
FIBRA DE VIDRIO  
FIBERGLASS REINFORCED PP



CAJA DE EMPOTRAR  
FLUSH FITTING BOX



PP REFORZADO FIBRA DE VIDRIO,  
ACABADO MATE  
FIBERGLASS REINFORCED PP, MATT FINISH

CRISTAL TEMPLADO TRANSPARENTE  
TEMPERED TRANSPARENT GLASS

