

LUNO Downlight recessed

Description

Downlights for indoor use.

For downlighting. Fully uniform diffuser with no shadows or glare. Structure material: Aluminium. Structure finish: White. Diffuser material: Methacrylate. Diffuser finish: Matt. Warranty: 5 Years. Total years including extended warranty: 5.



400



Finish
White
Matt

Material
Aluminium
Methacrylate

**TECHNICAL CHARACTERISTICS****Light source**

Light source: LED SAMSUNG
Output (W): 30W
Total power consumption (W): 27,5
Color temperature: Warm White - 3000K
CRI: 80
Nominal Lumen: 3215
Qty Leds: 96
Life Time: 50.000h L80B10
Bin / Grup: VA o VB
MacAdam steps: 3 STEPS
Photobiological risk: RG1

GEAR

Brand: HEP
Gear included: Yes, electronic
Voltage / Frequency:
100-240VAC/50-60Hz
Power Factor: 0.85
Dimming protocol: 1..10V

Luminaire

Warranty: 5 Years

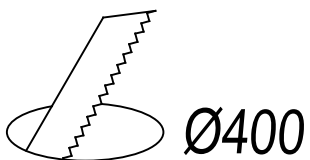
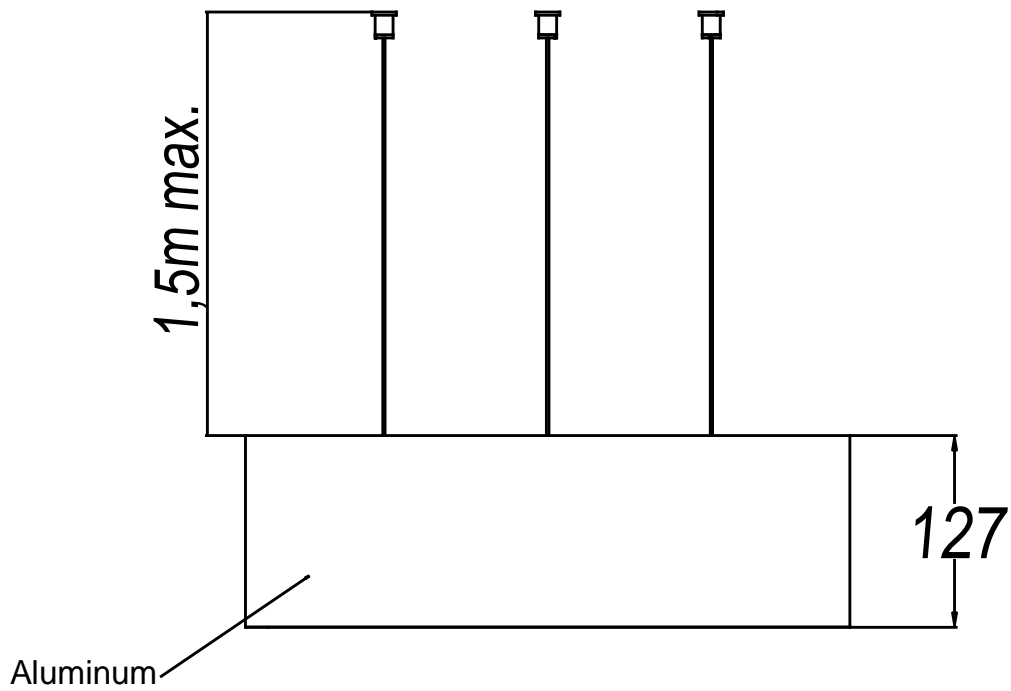
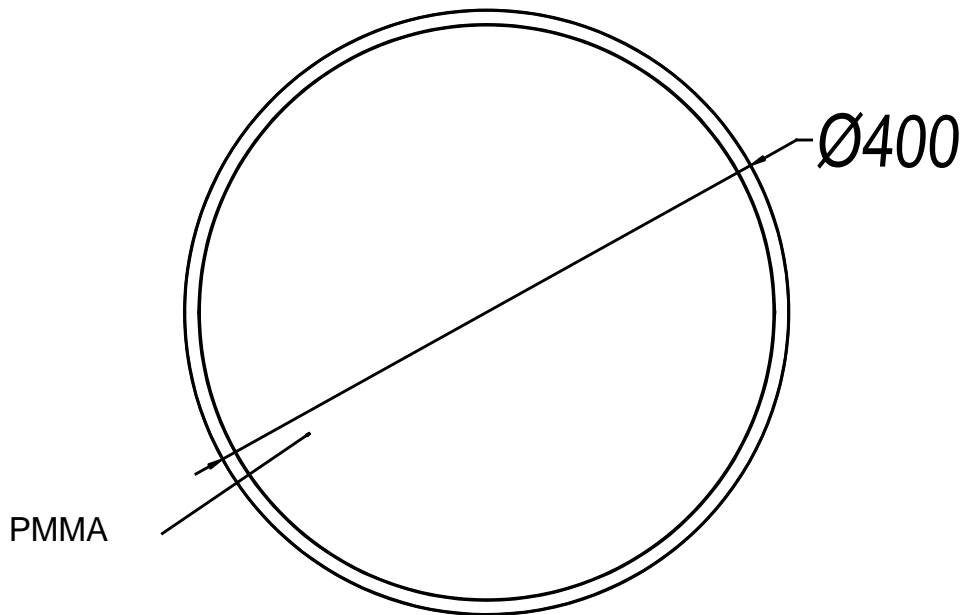
Logistics

Energy Efficiency: LED A++
EAN Code: 8435381470524
Net Weight (Kg): 2.460
Weight in Kg (packaged): 3.239
Packing: 410 x 140 x 405
Masterbox: 4

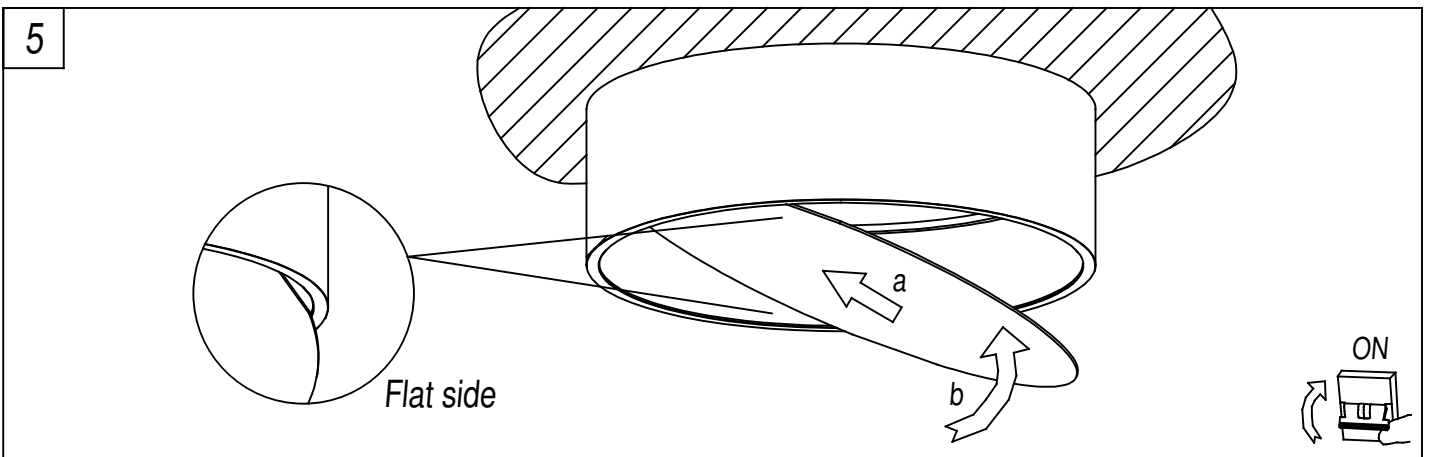
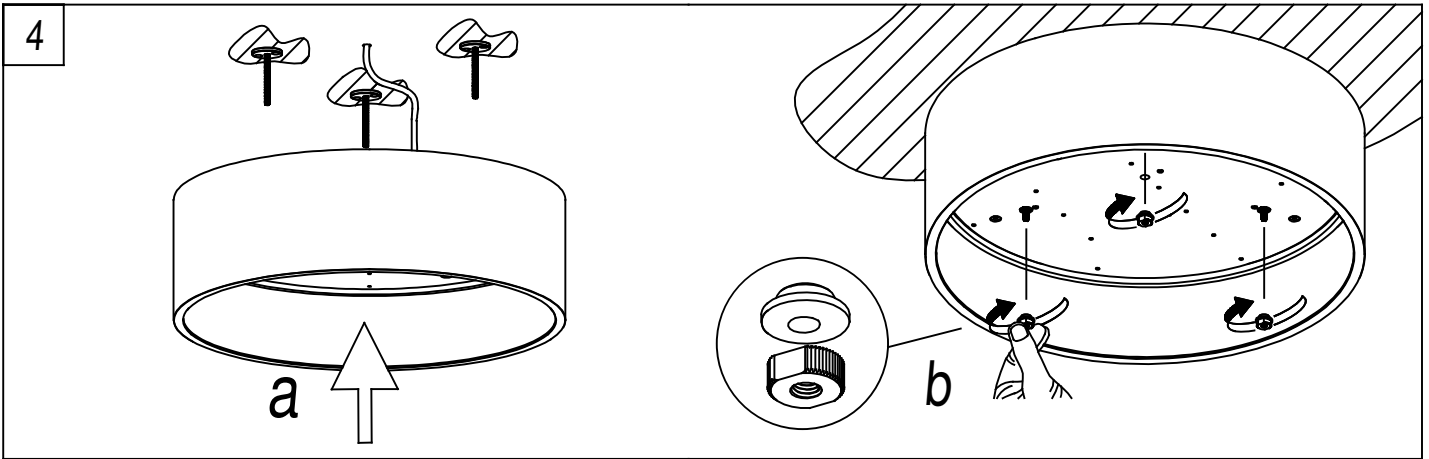
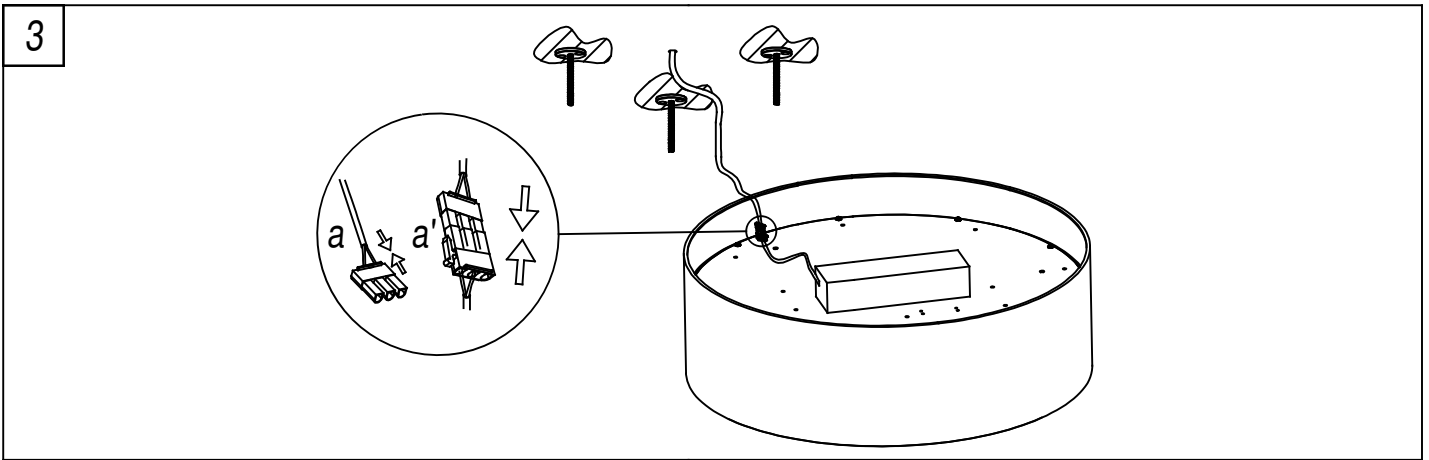
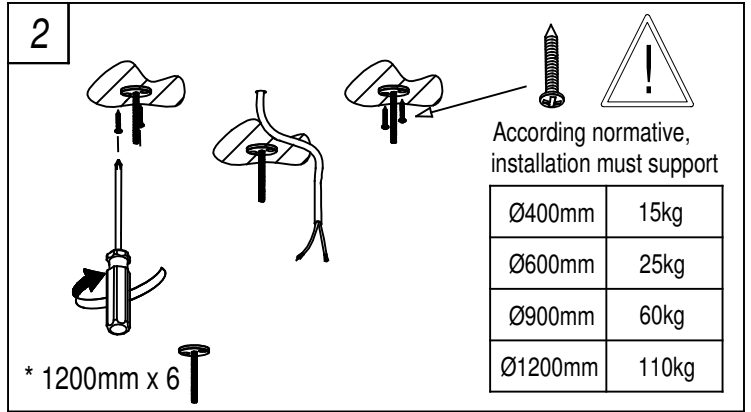
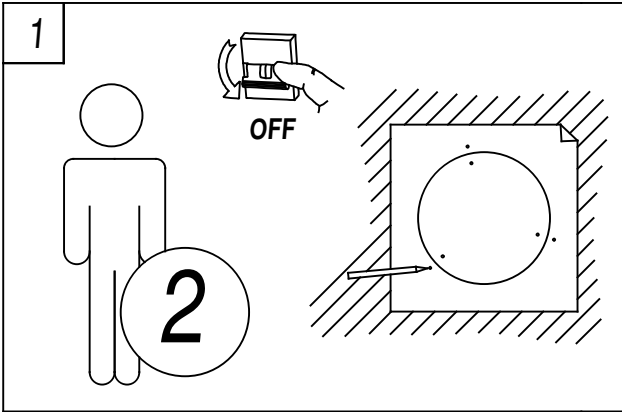
COMPATIBLE



eBLUE:
71-5961-00-00



SURFACE



PENDANT

1

OFF

According normative, installation must support

Ø400mm	15kg
Ø600mm	25kg
Ø900mm	60kg
Ø1200mm	110kg

2

2

3

a

b

4

a

b

5

6

a

b

c

7

a

b

Flat side

8

max. 2m

ON

RECESSED

1

OFF

min. 20

min. 20

2

Ø400mm
Ø600mm
Ø900mm
Ø1200mm

2

a

b

According normative, installation must support

Ø400mm	15kg
Ø600mm	25kg
Ø900mm	60kg
Ø1200mm	110kg

max. 1.5m

3

a

4

a

5

6

5

Flat side

ON