

90-6170-14-60

V0

BENTO Downlight recessed



Description

Downlights

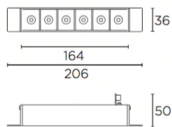
For downlighting. UGR <10. Maximum visual comfort with invisible lamp effect. Structure material: Aluminium, Polycarbonate. Structure finish: White, Black. Warranty: 2 Years.

Finish

White
Black

Material

Aluminium
Polycarbonate



⌀ 36x164

⚡ 0-18

TECHNICAL CHARACTERISTICS

Light source

Light source: LED CREE

Output (W): 13.2 W

Color temperature: Warm White - 3000K Voltage / Frequency: max. 700mA

CRI: 90

Real Lumen: 654

Nominal Lumen: 690

Qty Leds: 6

Lm/Real W: 50

Life Time: 40.000h L80B20

Bin / Grup: 7C1 o 7B4

MacAdam steps: 3

UGR: 7.1

Photobiological risk: RG2

GEAR

This item requires gear. It is not included.

Luminaire

Warranty: 2 Years

Logistics

Energy Efficiency: LED A++

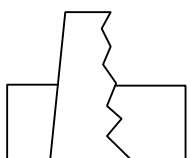
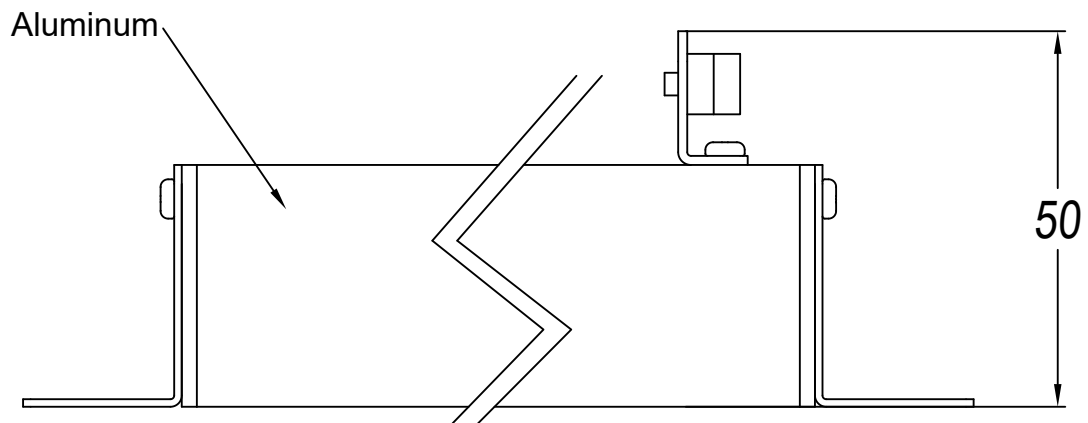
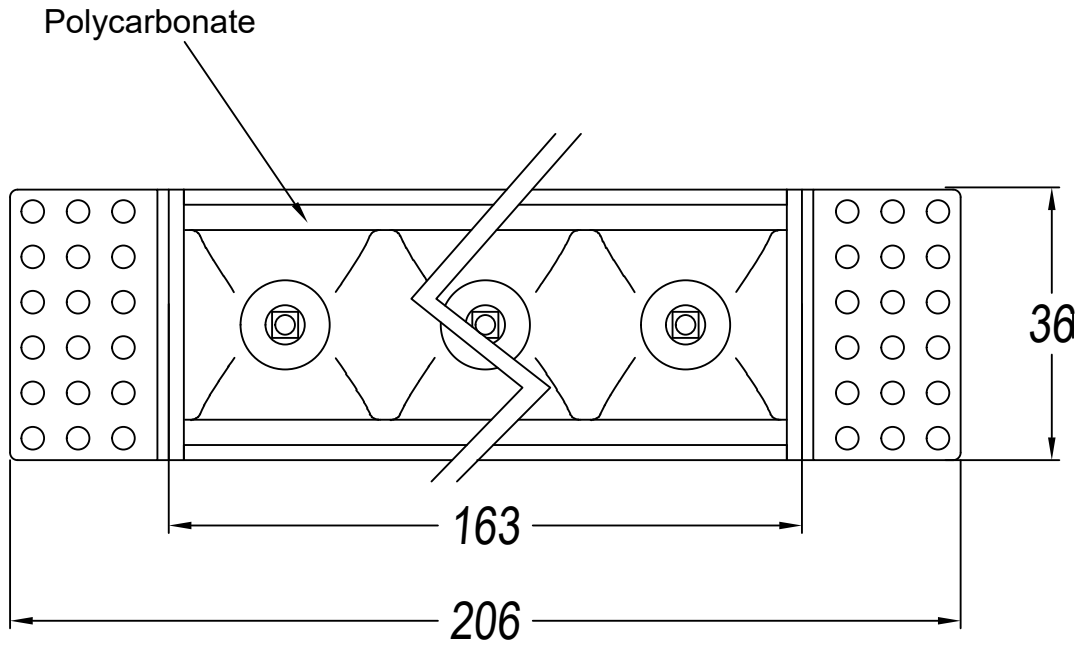
EAN Code: 8435526843305

Net Weight (Kg): 0.000

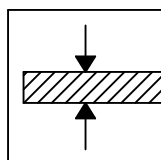
Packing: 100 x 100 x 260

Masterbox: 1

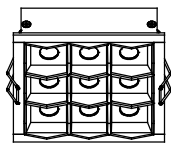
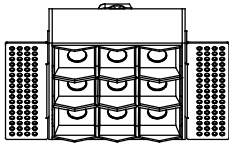
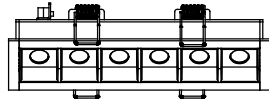
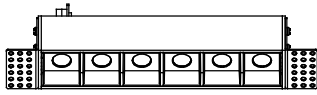
The photograph may not match the reference exactly. Please read the product description to identify the finish.



36x164



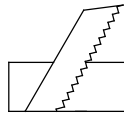
0-18mm



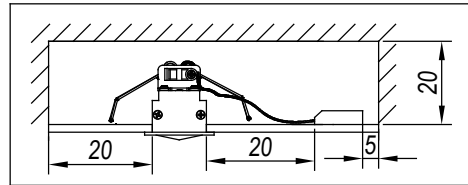
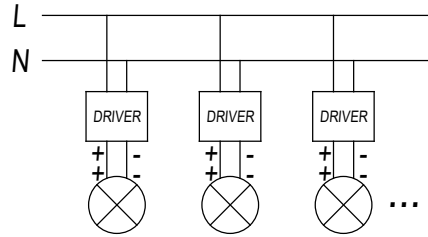
TRIMLESS

- 3LEDS: 36x84mm
- 6LEDS: 36x164mm
- 12LEDS: 36x323mm
- 18LEDS: 36x482mm
- 3X3LEDS: 90x90mm

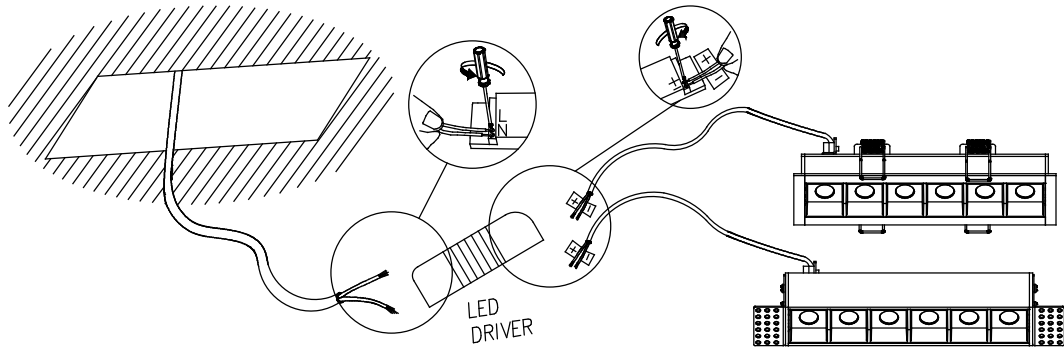
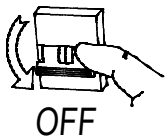
TRIM



- 3LEDS: 40x88mm
- 6LEDS: 40x168mm
- 12LEDS: 40x328mm
- 18LEDS: 40x486mm
- 3X3LEDS: 95x95mm

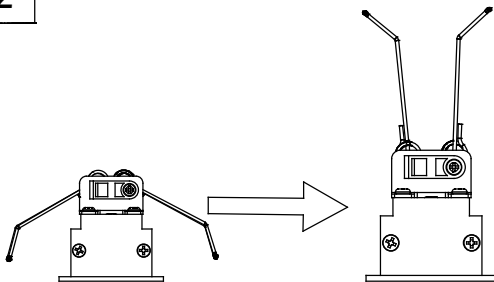


1

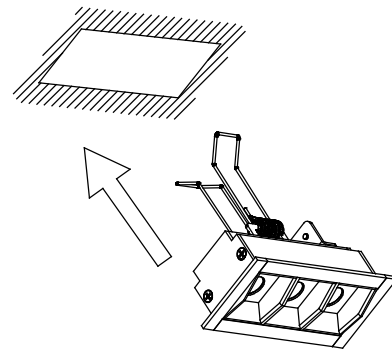


TRIM/CON MARCO

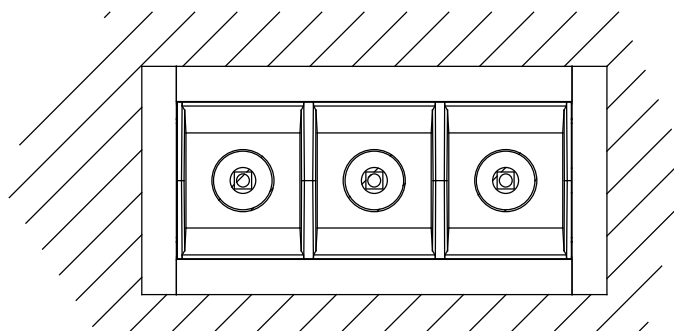
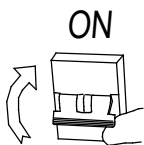
2



3



4



TRIMLESS/SIN MARCO

